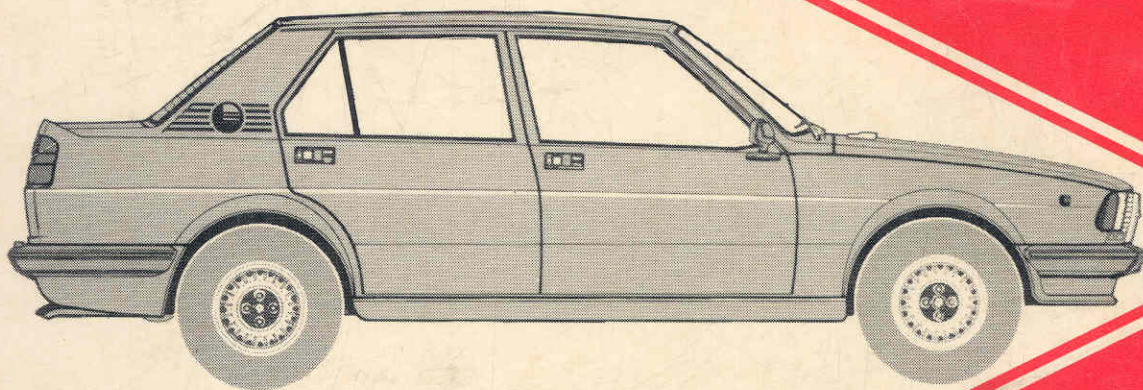




**ALFA
ROMEO**

CATALOGO RAPIDO RICAMBI



Giulietta 1.3 / 1.6



**IL SISTEMA MICROFICHE
LE SYSTEME MICROFICHES
THE MICROFICHE SYSTEM
DAS MIKROPLANFILM SYSTEM**



**ALFA
ROMEO**

**CATALOGO RAPIDO RICAMBI
CATALOGUE RAPID PIÈCES DÉTACHÉES
SHORT SPARE PARTS CATALOG
SCHNELL ERSATZTEILCATALOG**

PREMESSA

In questo fascicolo sono raffigurate ed elencate tutte le parti di ricambio essenziali o di maggior uso e consumo occorrenti in caso di riparazione o revisione alle parti MECCANICHE, ELETTRICHE e di CARROZZERIA della vettura Alfa Romeo Giulietta 1.3/1.6. Ad ogni ricambio corrisponde un numero categorico che bisogna sempre rispettare in tutte le ordinazioni.

Alle parti di ricambio che nel tempo subiscono variazioni, vengono assegnati nuovi numeri categorici. In questo caso il Concessionario ALFA ROMEO, alla richiesta di una parte di ricambio che ha subito variazioni, fornisce il pezzo di nuova introduzione che annulla e sostituisce il precedente.

INTRODUCTION

Dans ce catalogue sont illustrées et énumérées toutes les pièces détachées, essentielles ou les plus employées, nécessaires soit à la réparation soit à la révision des organes mécaniques, de l'équipement électrique et de la carrosserie de nos voitures Giulietta 1.3/1.6. Chaque pièce détachée a son propre repère qui doit être toujours respecté lors de la commande.

Aux pièces détachées qui peuvent avoir été changés entretemps, nous donnons des repères nouveaux. En ce cas le concessionnaire Alfa Romeo, au lieu de la pièce détachée commandée et qui a été changée, va vous fournir la pièce de nouvelle production qui annule et remplace la précédente.

INTRODUCTION

On this pamphlet you can find: the drawings and the list of all the spare parts both of first importance and fast moving you may require to repair or to overhaul: the mechanical units, the electrical units and the body components on our Giulietta 1.3/1.6. Each item has its own catalogue number that must be always respected on orders.

New catalogue numbers are specified for the changed spare parts. In this case our distributor has to supply the new item as replacement of the cancelled spare part requested by you.

VERWORT

In dieser Broschüre sind alle Teile abgebildet und aufgeführt, die bei Reparatur und Überholungsarbeiten wesentlich benötigt werden, was Mechanik, Elektrik und Karosserie des Fahrzeuges Alfa Romeo Giulietta-1.3/1.6 anbetrifft. Zu jedem Ersatzteil gehört eine Ersatzteilnummer, die man in alle Bestellungen beachten muss.

Den Ersatzteilen, die mit der Zeit Änderungen erfahren, neue Teilnummern werden gegeben. Bei Anforderung eines Teiles, der eine Änderung erfahren hat, liefert der Alfa Romeo - Händler den neuen Teil der den vorangegangenen annulliert und ersetzt.

LE ORDINAZIONI DOVRANNO ESSERE CORREDATE DAI SEGUENTI DATI:

- Il numero di categorico del particolare richiesto (da rilevarsi sul presente fascicolo o su microfiches).
- In mancanza di precise indicazioni dell'esatto numero di categorico, è opportuno procedere ad una accurata denominazione del particolare e segnalare il tipo di veicolo ed i numeri dell'auto-telaio e del motore.
- Indirizzo esatto per la destinazione del materiale.
- Indicazione dei documenti necessari.
- Mezzo di spedizione prescelto.

LES COMMANDES DEVRONT ETRE FOURNIES DES DONNEES SUIVANTES:

- Le numero de reference de la pièce demandée (à relever sur le present fascicule ou sur les microfiches).
- A défaut d'indications précises de l'exactitude de la reference il est opportun d'indiquer une denomination tres précise de la piece, signaler le type de vehicule, les numeros du chassis et du moteur.
- Adresse exacte pour la destination du materiel.
- Indication des documents necessaires.
- Moyen de transport choisi.

ORDERS SHOULD BE ACCOMPANIED BY THE FOLLOWING INFORMATION:

- The code number of the part required (to be found on this leaflet or on microfiches).
- When no exact code number is given, you must name the part accurately and state the type of vehicle and chassis and engine numbers.
- Exact address of where the material is to be sent.
- Indication of documents needed.
- Method of despatch preferred.

DIE BESTELLUNGEN SOLLTEN FOLGENDE DATEN ENTHALTEN:

- Die Ersatzteilenummern des verlangten Ersatzteils (diese finden Sie im Ersatzteilkatalog oder im Mikroplanfilm).
- Sollte eine Teilenummer nicht genau angegeben werden können, empfiehlt es sich eine geeignete Bezeichnung des abgebildeten Ersatzteiles sowie den Fahrzeugtyp, Fahrgestell und Motornummer anzuführen.
- Genauere Adresse des Warenempfängers.
- Angabe aller notwendigen Dokumente.
- Gewünschte Versandart.

1978
OTTOBRE
OCTOBER
OCTOBRE
OCTUBRE

Proprietà riservata. Riproduzione, anche parziale, vietata senza autorizzazione scritta della ALFA ROMEO S.p.A.

Traduction ou reproduction, même partielle, interdite sans l'autorisation écrite de ALFA ROMEO S.p.A.

All rights reserved. This book, or parts thereof, may not be reproduced in any form without permission of ALFA ROMEO S.p.A.

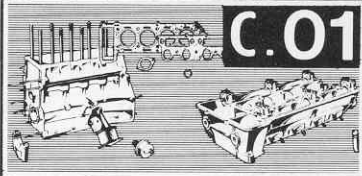
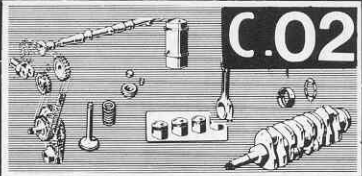
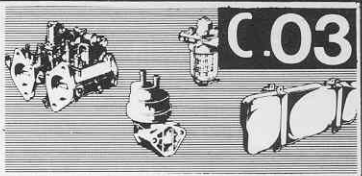
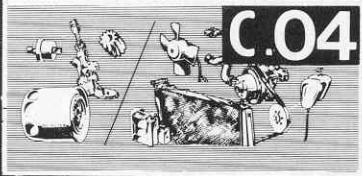
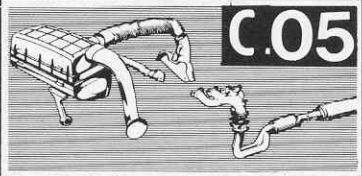
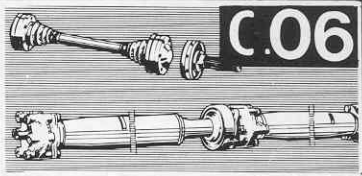
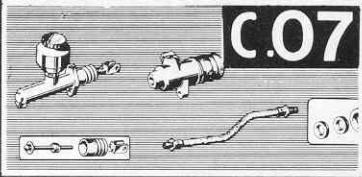
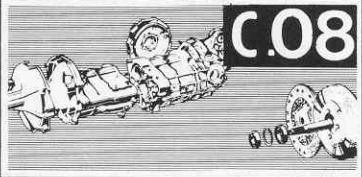
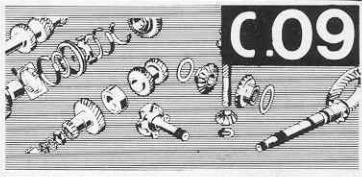
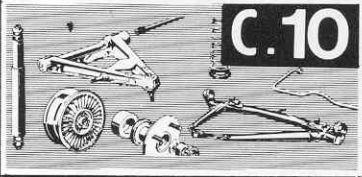

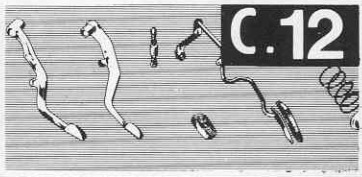
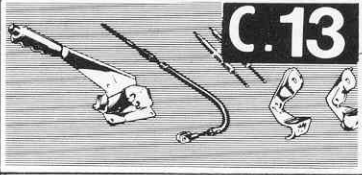
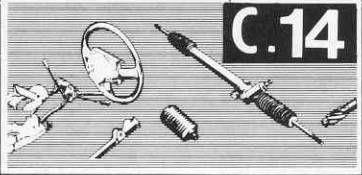
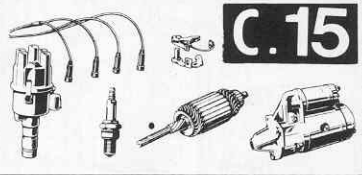
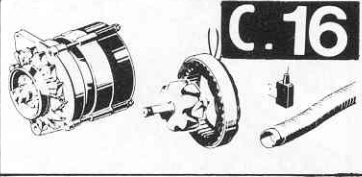
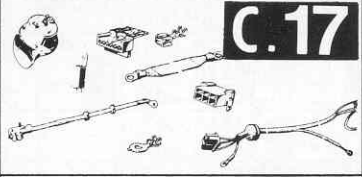
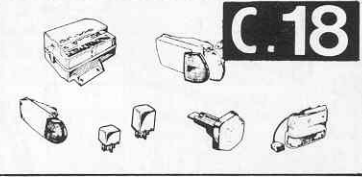
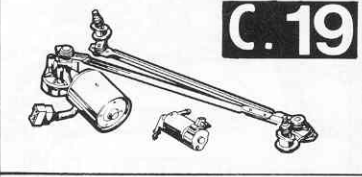
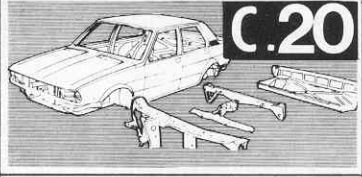
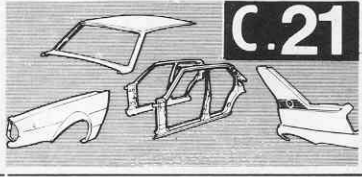

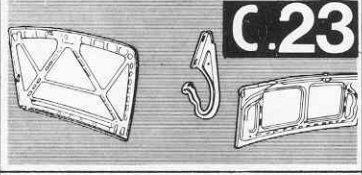
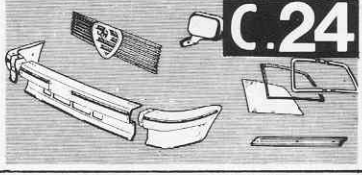
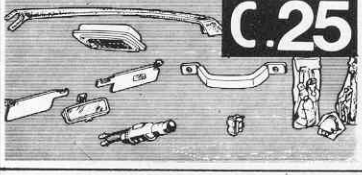
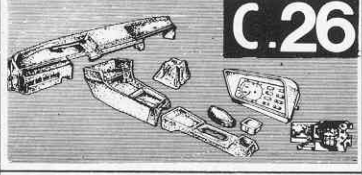
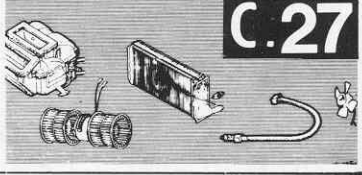
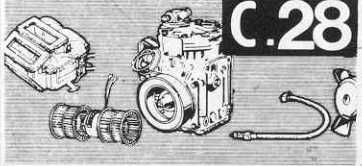
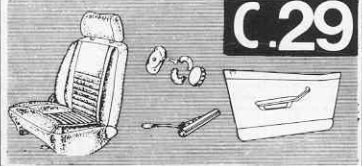
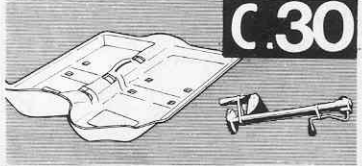
Alle rechte vorbehalten. Nachdruck, auch auszugsweise, nur mit schriftlicher Genehmigung der ALFA ROMEO-WERKE S.p.A.



VALIDITÀ – Application – Validity – Gültigkeit

	Varianti per:	Equipement pour:	Variants:	Abgeleitete Typen:
A	Austria	Austriche	Austria	Österreich
B	Belgio	Belgique	Belgium	Belgien
DK	Danimarca	Danemark	Denmark	Dänemark
F	Francia	France	France	Frankreich
SF	Finlandia	Finlande	Finland	Finnland
D	Germania	Allemagne	Germany	Deutschland
GB	Gran Bretagna	Grande Bretagne	England	England
YU	Yugoslavia	Yugoslavie	Yugoslavia	Jugoslavien
N	Norvegia	Norvège	Norway	Norwegen
NL	Olanda	Hollande	Holland	Holland
S	Svezia	Suède	Sweden	Schweden
CH	Svizzera	Suisse	Switzerland	Schweiz
J	Giappone	Japon	Japan	Japan
AUS	Australia	Australie	Australia	Australien
ZA	Sud Africa	Afrique du Sud	Soth Africa	Südafrika
BR	Brasile	Brésil	Brazil	Brasilien

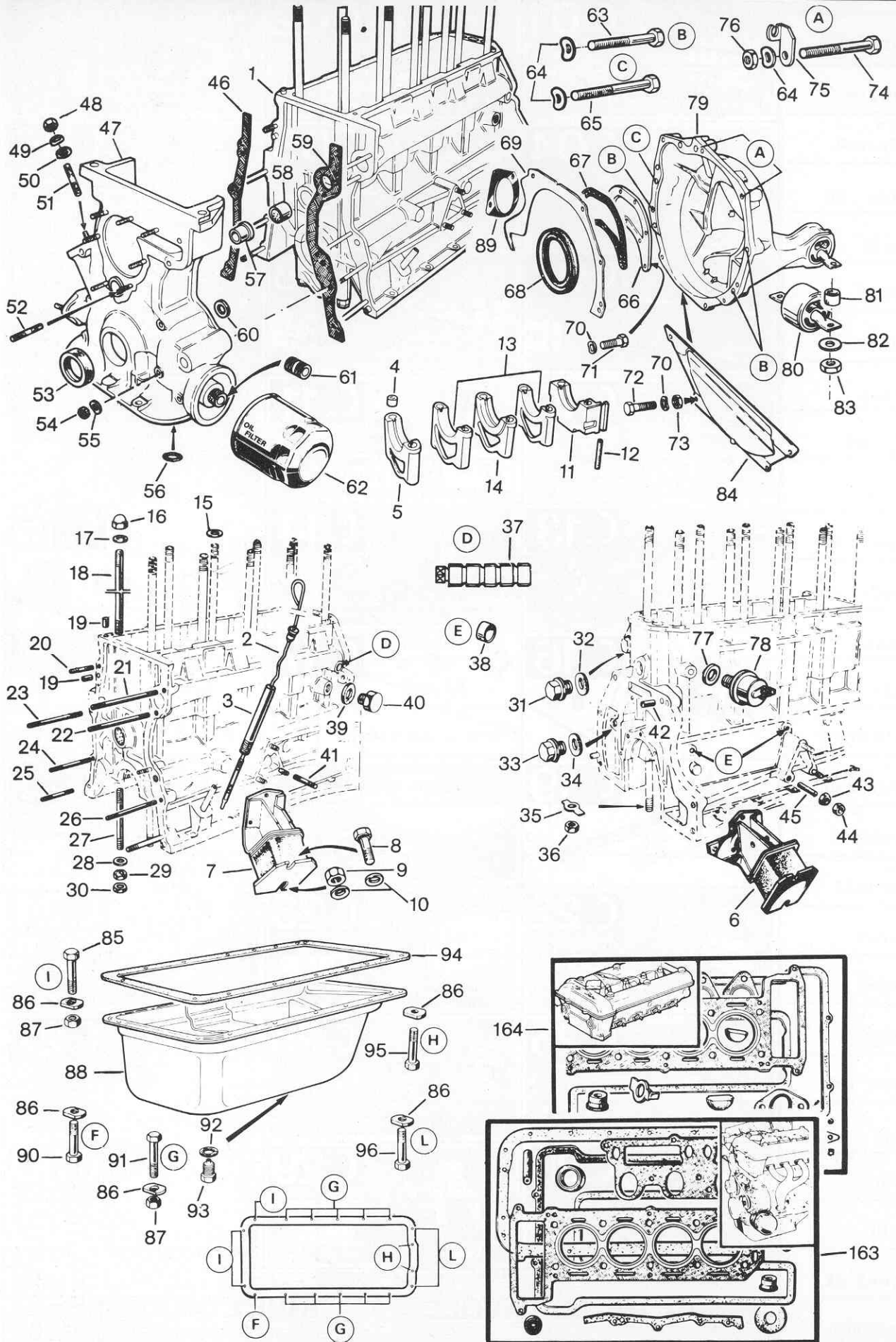
	INTERPRETAZIONE DEI SIMBOLI	INTERPRETATION DES SIGNES	SYMBOL'S INTERPRETATION	BEDEUTUTUNG DER SYMBOLE
	Giulietta 1.3	Giulietta 1.3	Giulietta 1.3	Giulietta 1.3
	Giulietta 1.6	Giulietta 1.6	Giulietta 1.6	Giulietta 1.6
	N° d'ordinazione	N. de pièces	Catalog No.	Bestell-Nr.
	N° figura	N. dessin	No. drawing	Nr. Abbildung
	Note	Notes	Notice	Hinweis
	Confezione	Collection	Kit	Packung
	Aspirazione	Admission	Intake	Einlass
	Scarico	Echappement	Exhaust	Auslass
	Spessore mm.	Epaisseur mm.	Mm. thick	Mm. dick
	Normale	Cote d'origine	Standard	Normal
	1 ^a Maggiorazione	1 ^{ère} Cote réparation	1st Oversize	1. Über mass
	2 ^a Maggiorazione	2 ^{ème} Cote réparation	2nd Oversize	2. Über mass
	Destro	Droite	R.H.	Rechts
	Sinistro	Gauche	L.H.	Links
	Guida destra	Direction à droite	R.H.D. cars	Rechtslen Kung
	Guida sinistra	Direction à gauche	L.H.D. cars	Linkslen Kung
	Circolazione destra	Circulation à droite	R.H. rule of road	Rechtverkehr
	Circolazione sinist.	Circulation à gauche	L.H. rule of road	Linkverkehr
	Positivo	Positive	Positive	Positiv
	Negativo	Négative	Negative	Negativ
	Eccitazione	Excitation	Field	Erreger
	Per roulettes	Pour roulettes	For roulettes	Für roulettes
	Anteriore	Avant	Front	Vorn
	Centrale	Central	Middle	Mittel
	Posteriore	Arrière	Rear	Hinten
	Fornito in cm.	Vente en centimètres	By length	In Zentimeter
	Suono acuto	Son aigu	High note	Heller ton
	Suono grave	Son grave	Low note	Dunkle ton

 C.01	 C.02	 C.03
 C.04	 C.05	 C.06
 C.07	 C.08	 C.09
 C.10	 C.11	 C.12
 C.13	 C.14	 C.15
 C.16	 C.17	 C.18
 C.19	 C.20	 C.21
 C.22	 C.23	 C.24
 C.25	 C.26	 C.27
 C.28	 C.29	 C.30

INDICE DELLE TAVOLE

INDEX OF TABLES

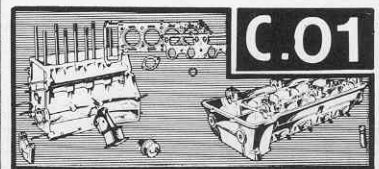
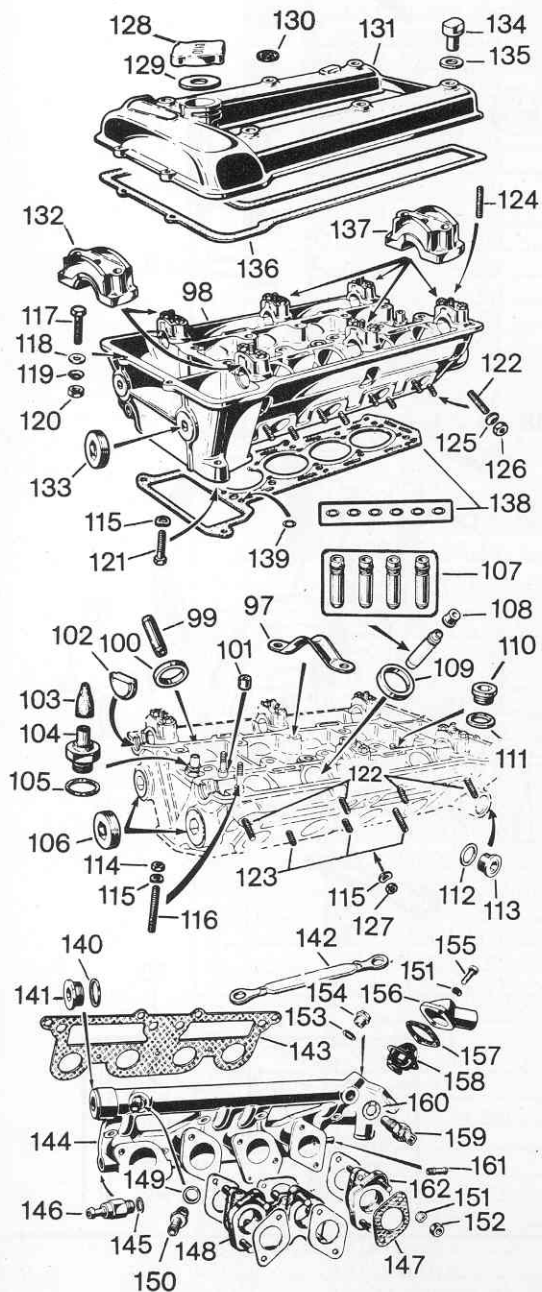
REPertoire DES PLANCHES TAFELVERZEICHNIS

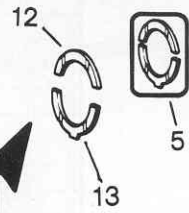
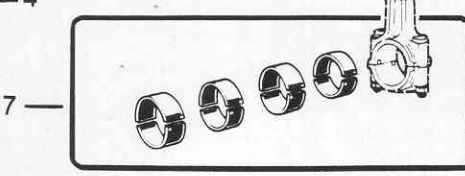
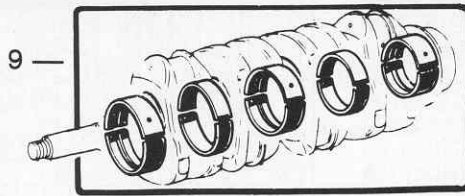
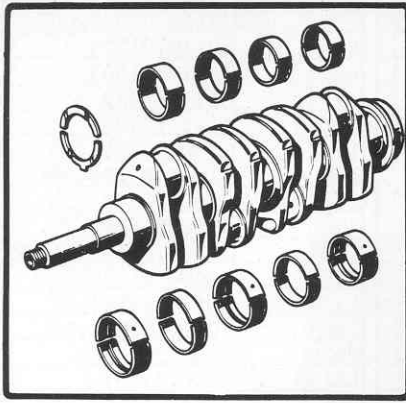


1	1.3	11644.01010.00
	1.6	11650.01010.00
2		11655.01040.00
3		11655.01316.00
4		10110.01112.00
5		10500.01104.00
6		11634.01080.00
7		11655.01081.00
8		2105.00235
9		2125.15104
10		2100.81434
11		11608.01107.02
12		1315.10403
13		10500.01105.00
14		10500.01106.01
15		10541.01541.00
16		10541.01506.00
17		10541.01539.00
18	1.3	11525.01103.00
	1.6	11600.01103.00
19		2160.23925
20		2100.11000
21		2100.10994
22		2100.10995
23		2100.11004

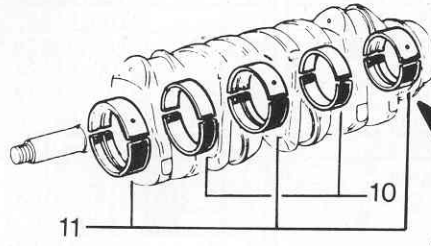
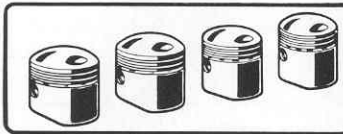
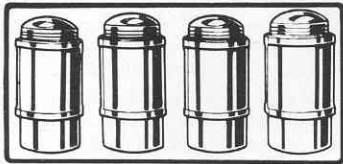
24		2100.11002
25		2100.11001
26		2100.11003
27	102mm 124mm	11608.01140.00 10500.01141.03
28		1315.10116
29		10100.01135.00
30		2120.92315
31		10548.01652.00
32		2340.32349
33		11509.01652.00
34		2340.32333
35		10500.01161.01
36		10100.01135.00
37		2360.31582
38		11608.01939.00
39		2340.32336
40		2360.31504
41		2100.08997
42		2160.23929
43		2100.81434
44		2125.15029
45		2100.08976
46	1.3	10506.01304.00
	1.6	10500.01304.02
47	1.3	11644.01031.00
	1.6	11650.01031.00
48		2125.15027
49		2100.81408
50		2145.16717
51		2100.05138
52		2100.05106
53		10500.01176.00
54		2125.20042
55		2140.17352
56		2340.35024
57		10500.01313.03
58		11608.01115.00
59	1.3	11525.01303.00
	1.6	11600.01303.01
60		10100.01317.00
61		11600.06353.01
62		11600.06030.99
63		2105.02012
64		2145.17353
65		2105.02014
66		1315.10019
67		10500.01191.00
68		10564.01177.00
69		10512.01143.00
70		2145.17352
71		2105.00163
72		2105.00166
73		2125.15051
74		2105.02016
75		11608.05902.00
76		2125.20054
77		2340.32231
78		10548.06323.02
79		11633.01047.00
80		11634.01860.00
81		11600.01861.01
82		2145.16654
83		2125.15104
84		11600.01249.03
85		2105.02620
86		11650.01217.00
87		2125.15028
88		11600.01200.00
89		10512.05312.00
90		2105.02619
91		2105.02622
92		2340.32243
93		10600.01238.00
94		11600.01205.00
95		2105.02615
96		2105.02614
97		10541.01867.00

98	1.3	11601.01053.01
	1.6	11600.01053.00
99		10110.01503.02
100		10110.01505.01
101		1315.12023
102		1315.12408
103		11600.32903.01
104		11608.07256.00
105		2340.32343
106		2360.31619
107		10500.01503.04/01
108		10500.01570.01
109		10536.01504.01
110		10500.01568.00
111		2340.32343
112		2340.32349
113		10536.01563.00
114		2120.20044
115		2140.17353
116		2100.08390
117		2105.00170
118		2145.16652
119		2100.81408
120		2125.15027
121		2105.00241
122		2100.05192
123		2100.05194
124		2100.05189
125		2100.81434
126		2120.20139
127		2125.15029
128		1315.12801
129		1315.12411
130		1306.12028
131		11608.01054.00
132		1315.12092
133		2360.31618
134		10548.01133.01
135		10502.01582.00
136		10514.01507.01
137		1315.12093
138	☒ 1.3	11608.01508.04/01
	1.6	11600.01508.00/01
139		2340.35006
140		2340.32353
141		10502.01679.00
142		1365.76721
143		10541.01601.00
144		10548.01060.01
145		10600.45528.00
146		10564.01664.00
147		10106.01609.00
148		11608.01062.00
149		2340.32237
150		10500.01613.01
151		2140.17353
152		1315.44043
153		2340.32235
154		10502.01676.01
155		2105.00239
156		10548.07300.00
157		1306.12033
158		10541.01064.00
159		10500.06322.00
160		2340.32237
161		10548.01617.00
162		10106.01062.00
163	☒ 1.3	11644.79013.00
	1.6	11650.79013.00
164	☒ 1.3	11644.79010.00
	1.6	11600.79010.00

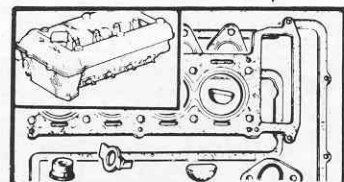
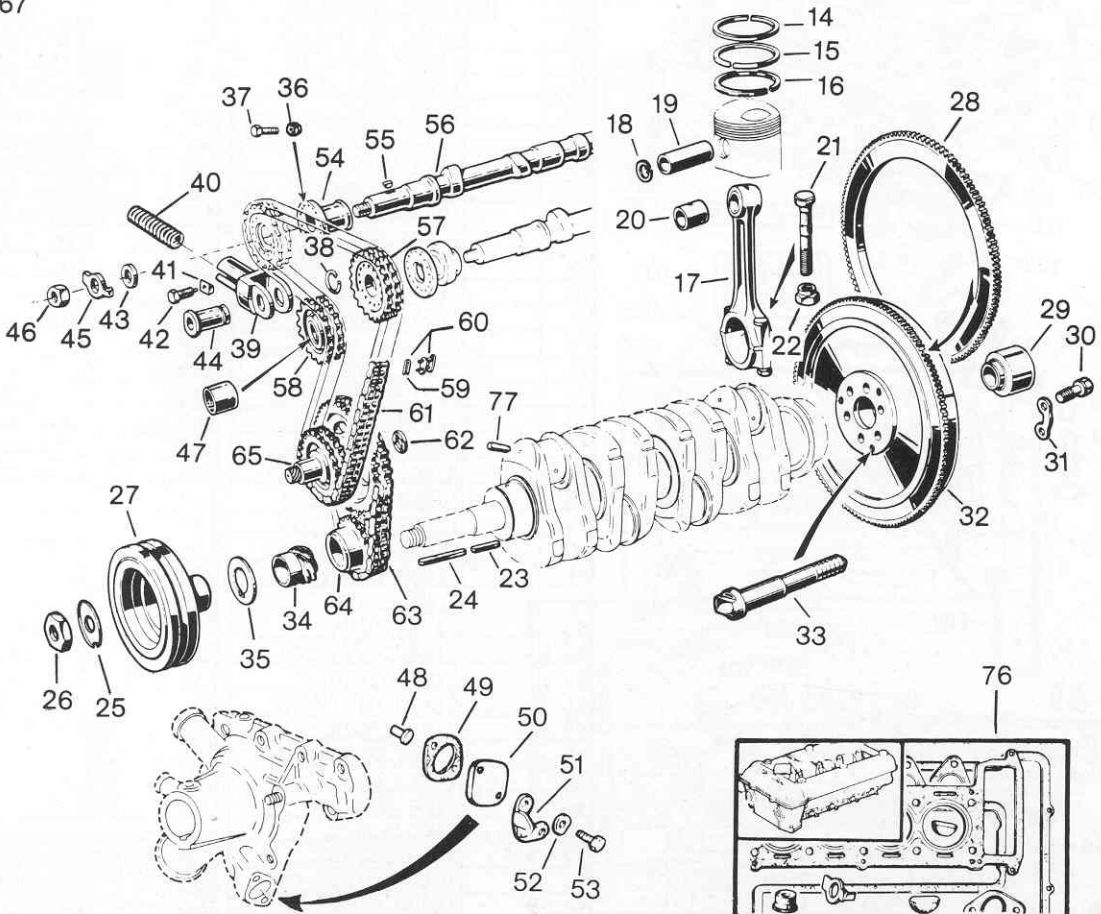
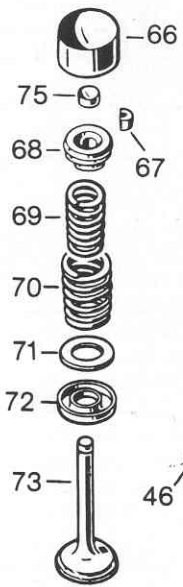
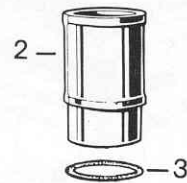
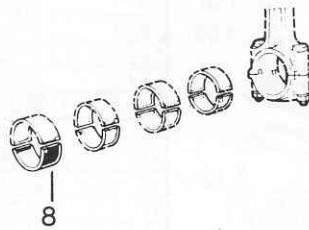




1.3



1.6



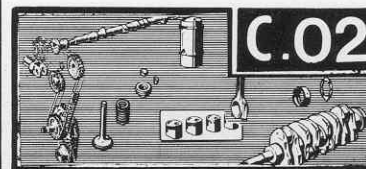
1	13	11601.02031.00/01
	16	11600.02031.01/01
2	13	11601.01101.01
	16	11600.01101.05
3	13	10541.01102.00
	16	10110.01102.00
4	13	11644.02063.00
	16	11600.02063.00
5	13	11608.02106.00/01
6	13	11601.02030.00/01
	16	10508.02030.00/01
7	13	1315.16712
	1	1315.16712.01
	2	1315.16712.01
8	16	10512.02203.00
	●	10512.02203.04
9	13	10110.02111.00/01
	1	10110.02111.03/01
	2	10110.02111.04/01
10	16	10512.02111.01
	●	10512.02111.02
11	16	10512.02112.01
	●	10512.02112.02
12	13	10110.02106.01
	2	10110.02106.02
13	13	10110.02107.01
	2	10110.02107.02
14	13	A 10548.02301.00
	B	10541.02301.01
	16	B 10508.02301.00
	A	10500.02301.07
15	13	A 10541.02302.02
	B	10541.02302.01
	16	B 10508.02302.00
	A	10500.02302.00
16	13	A 10548.02304.00
	B	10541.02304.03
	16	B 10508.02304.00
	A	10500.02304.00
17	13	11601.02020.01
	16	11600.02020.01
18		10500.02307.00
19	13	10541.02306.01
	16	10508.02306.00
20		10500.02202.00
21	13	11601.02204.00
	16	11600.02204.00
	16	11601.02205.00
22	13	11608.02205.00
23		1315.14019
24		11608.02113.02
25		10500.02104.00
26		10500.02105.00
27		10548.02102.08
28		11600.02401.01
29		11608.15037.00
30		10512.02403.00
31		11600.02402.01
32		11608.02040.12
33		11608.15206.00
34		1315.32007
35		10548.02108.00
36		2100.92205
37		11655.03460.
38		1315.30002
39		10500.03325.01
40		1306.30063
41		1315.30041
42		1315.30040
43		1315.26017
44		10500.03324.00
45		1315.30009
46		2120.20072
47		10500.03322.01
48		1315.60016
49		1315.60011
50		1315.60018
51		11608.07050.00

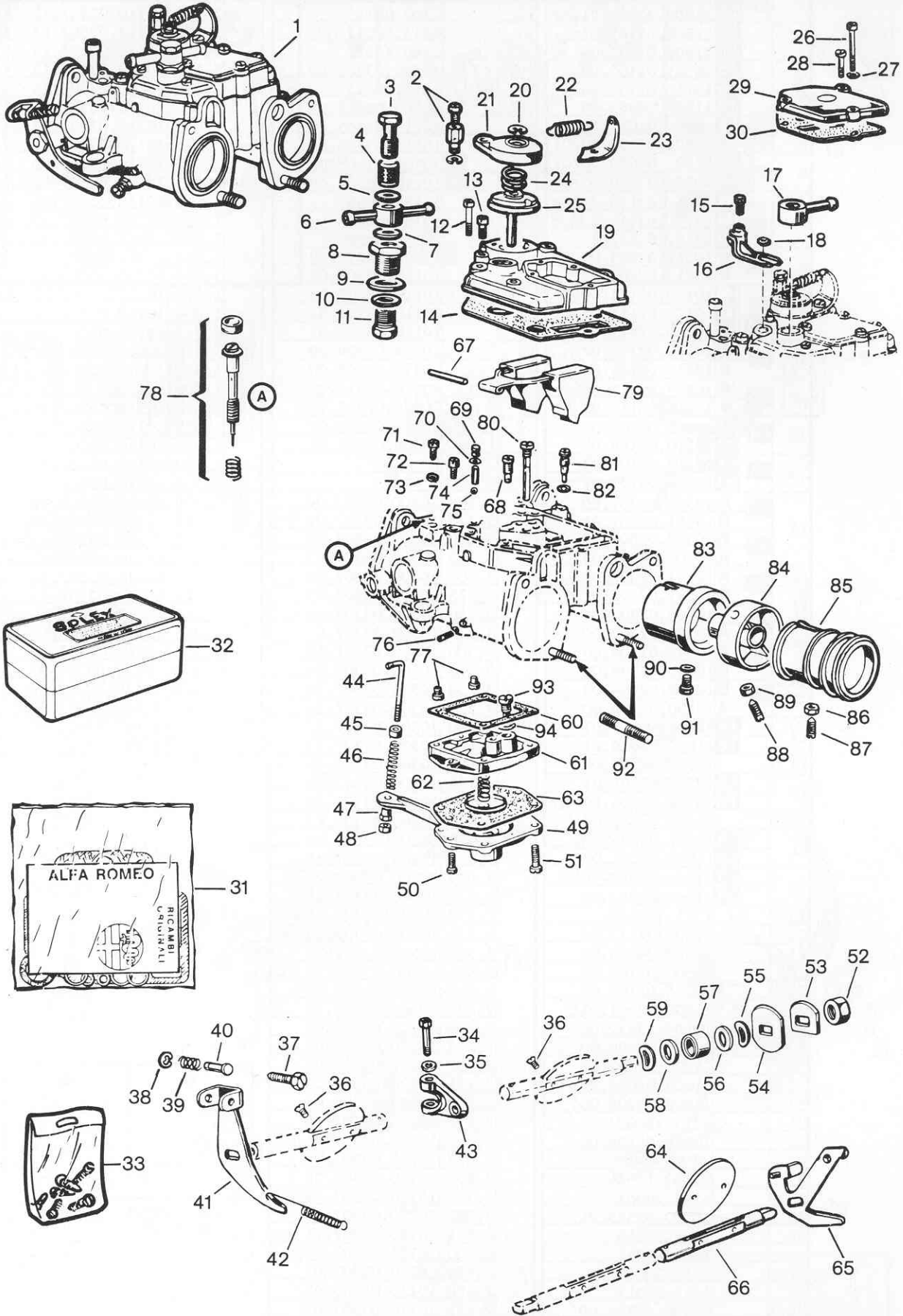
52		2145.17352
53		2105.00163
54		1315.30012
55		2160.18522
56		10520.03200.00
57		1315.30013
58		10500.03016.01
59		10110.03105.00/02
60		10541.03105.00/01
61	13	10100.03105.00
	16	10110.03105.00
62		1315.30038
63		1315.30404
64		1315.30039
65		11608.03013.00
66		10110.03308.00
	+0,20	10110.03308.03
67		10110.03306.02
68		10110.03305.02
69		10564.03304.00
70		10512.03303.00
71		10110.03316.00
72		10110.03302.00
73	K	10110.03300.01
	E3	10500.03301.01
		3,500 10500.03307.00
		3,475 10500.03307.01
		3,450 10500.03307.02
		3,425 10500.03307.03
		3,400 10500.03307.04
		3,375 10500.03307.05
		3,350 10500.03307.06
		3,325 10500.03307.07
		3,300 10500.03307.08
		3,275 10500.03307.09
		3,250 10500.03307.10
		3,225 10500.03307.11
		3,200 10500.03307.12
		3,175 10500.03307.13
		3,150 10500.03307.14
		3,125 10500.03307.15
		3,100 10500.03307.16
		3,075 10500.03307.17
		3,050 10500.03307.18
		3,025 10500.03307.19
		3,000 10500.03307.20
		2,975 10500.03307.21
		2,950 10500.03307.22
		2,925 10500.03307.23
		2,900 10500.03307.24
		2,875 10500.03307.25
		2,850 10500.03307.26
		2,825 10500.03307.27
		2,800 10120.03307.00
		2,775 10120.03307.01
		2,750 10120.03307.02
		2,725 10120.03307.03
		2,700 10120.03307.04
		2,675 10120.03307.05
		2,650 10120.03307.06
		2,625 10120.03307.07
		2,600 10120.03307.08
		2,575 10120.03307.09
		2,550 10120.03307.10
		2,525 10120.03307.11
		2,500 10110.03307.00
		2,475 10110.03307.01
		2,450 10110.03307.02
		2,425 10110.03307.03
		2,400 10110.03307.04
		2,375 10110.03307.05
		2,350 10110.03307.06
		2,325 10110.03307.07
		2,300 10110.03307.08
		2,275 10110.03307.09
		2,250 10110.03307.10

		2,225 10110.03307.11
		2,200 10110.03307.12
		2,175 10110.03307.13
		2,150 10110.03307.14
		2,125 10110.03307.15
		2,100 10110.03307.16
		2,075 10110.03307.17
		2,050 10110.03307.18
		2,025 10110.03307.19
		2,000 10110.03307.20
		1,975 10110.03307.21
		1,950 10110.03307.22
		1,925 10110.03307.23
		1,900 10110.03307.24
		1,875 10110.03307.25
		1,850 10110.03307.26
		1,825 10110.03307.27
		1,800 10110.03307.28
		1,775 10110.03307.29
		1,750 10110.03307.30
		1,725 10110.03307.31
		1,700 10110.03307.32
		1,675 10110.03307.33
		1,650 10110.03307.34
		1,625 10110.03307.35
		1,600 10110.03307.36
		1,575 10110.03307.37
		1,550 10110.03307.38
		1,525 10110.03307.39
		1,500 10110.03307.40
		1,475 10110.03307.41
		1,450 10110.03307.42
		1,425 10110.03307.43
		1,400 10110.03307.44
		1,375 10110.03307.45
		1,350 10110.03307.46
		1,325 10110.03307.47
		1,300 10110.03307.48
76	13	11644.79013.00
	16	11650.79013.00
77		1306.14041

●	★
Bollo rosso	Bollo blu
Repère rouge	Repère blu
Red mark	Blue mark
Rote Marke	Blaue Marke







A	GOETZE
B	BORGIO









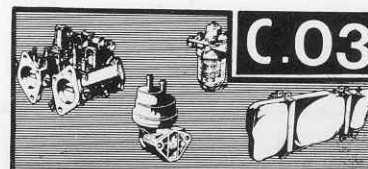
c.c. 1300

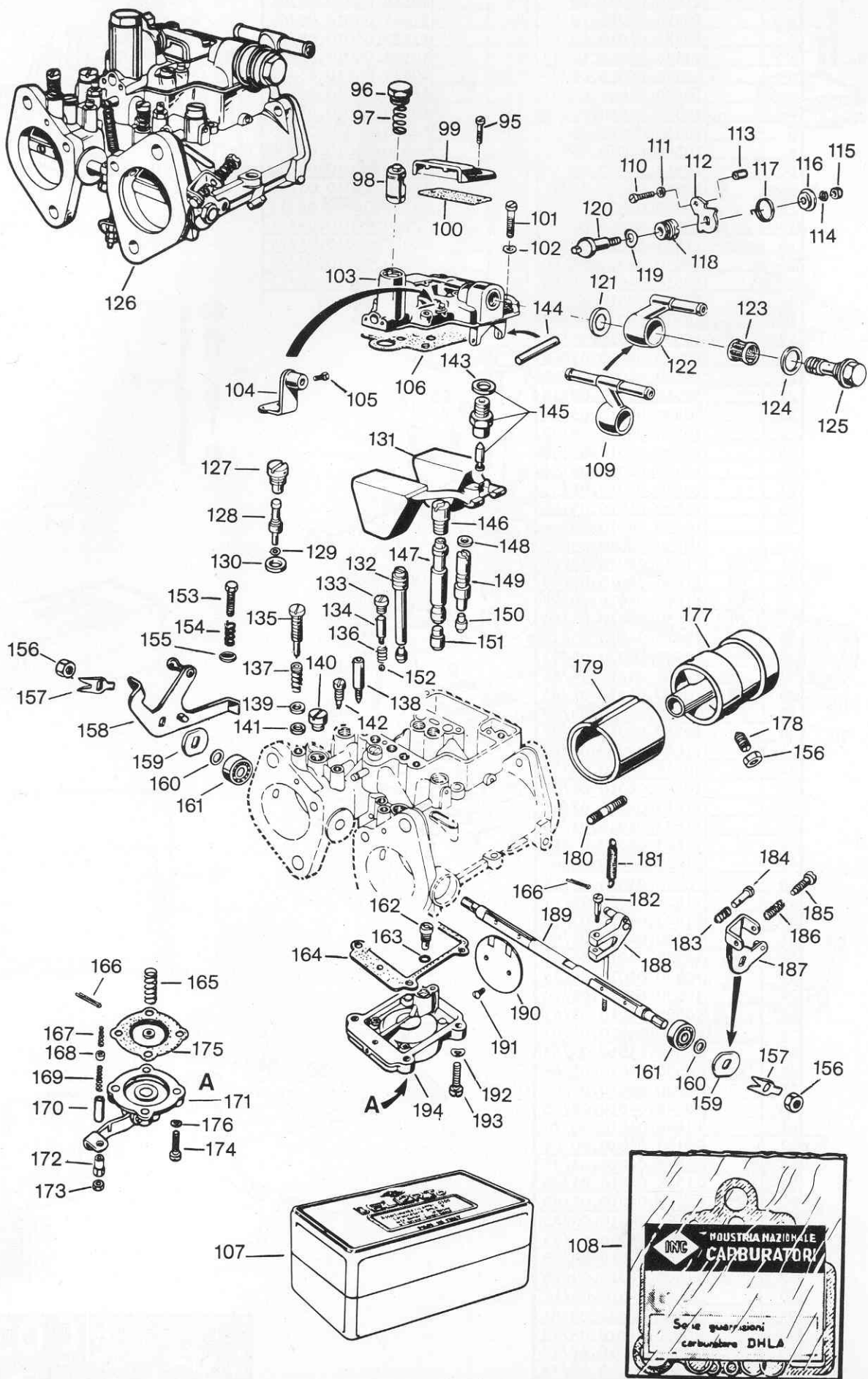
SOLEX

		
1	α	11644.04010.00
	Ω	11644.04011.00
2		10526.04010.10/40
3		10526.04010.10/38
4		10526.04010.10/37
5		10548.04010.08/09
6		10530.04010.05/83
7		10548.04010.08/16
8		10530.04010.05/31
9		10548.04010.08/15
10		10548.04010.08/10
11		10548.04010.08/11
12		10530.04010.05/55
13		10530.04010.05/54
14		11525.04010.04/05
15		10530.04010.05/90
16		10530.04010.05/89
17		10530.04010.05/91
18		10530.04010.05/92
19		10530.04010.05/52
20		10530.04010.05/66
21		10530.04010.05/08
22		10548.04010.08/18
23		10530.04010.05/84
24		10548.04010.08/03
25		10530.04010.05/30
26		10530.04010.05/56
27		10530.04010.05/57
28		10530.04010.05/44
29		10530.04010.05/46
30		10530.04010.05/07
31		11623.04010.03/96
32		11644.04010.00/98
33		11644.04010.00/97
34		10530.04010.05/80
35		11623.04010.03/79
36		10530.04010.05/42
37		11525.04010.04/86
38		10530.04010.05/85
39		10548.04010.08/33
40		10530.04010.05/87
41		11644.04010.00/82
42		10548.04010.08/32
43		10530.04010.05/58
44		11623.04010.03/59
45		11623.04010.03/69
46		11623.04010.03/24
47		11623.04010.03/67
48		10530.04010.05/68
49		11623.04010.03/71
50		11623.04010.03/72
51		10530.04010.05/60
52		10530.04010.05/41
53		10530.04010.05/73
54		10530.04010.05/20
55		10530.04010.05/61
56		10530.04010.05/62
57		10530.04010.05/63
58		10530.04010.05/64
59		10530.04010.05/65
60		10548.04010.08/23
61		11644.04010.00/70
62		10100.04010.00/04
63		11623.04010.03/25
64		11525.04010.05/36
65		10530.04010.05/88
66		10530.04010.05/43
67		10530.04010.05/53
68		10548.04010.09/06
69		11600.04010.09/76
70		10548.04010.08/14
71		10530.04010.05/81
72		10530.04010.05/78
73		10548.04010.08/17
74		11600.04010.09/75
75		11600.04010.09/39
76		10530.04010.05/02
77		11525.04010.04/19

		
78		11600.04010.09/95
79		10548.04010.08/04
80		11644.04010.00/45
81		11623.04010.03/12
82		10548.04010.08/14
83		10530.04010.05/22
84		11525.04010.04/29
85		10530.04010.05/28
86		10530.04010.05/50
87		10530.04010.05/48
88		10530.04010.05/47
89		10530.04010.05/49
90		10548.04010.08/35
91		10530.04010.05/51
92		10530.04010.05/74
93		11623.04010.03/27
94		11623.04010.03/21







3



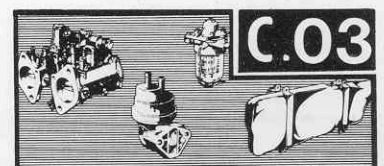


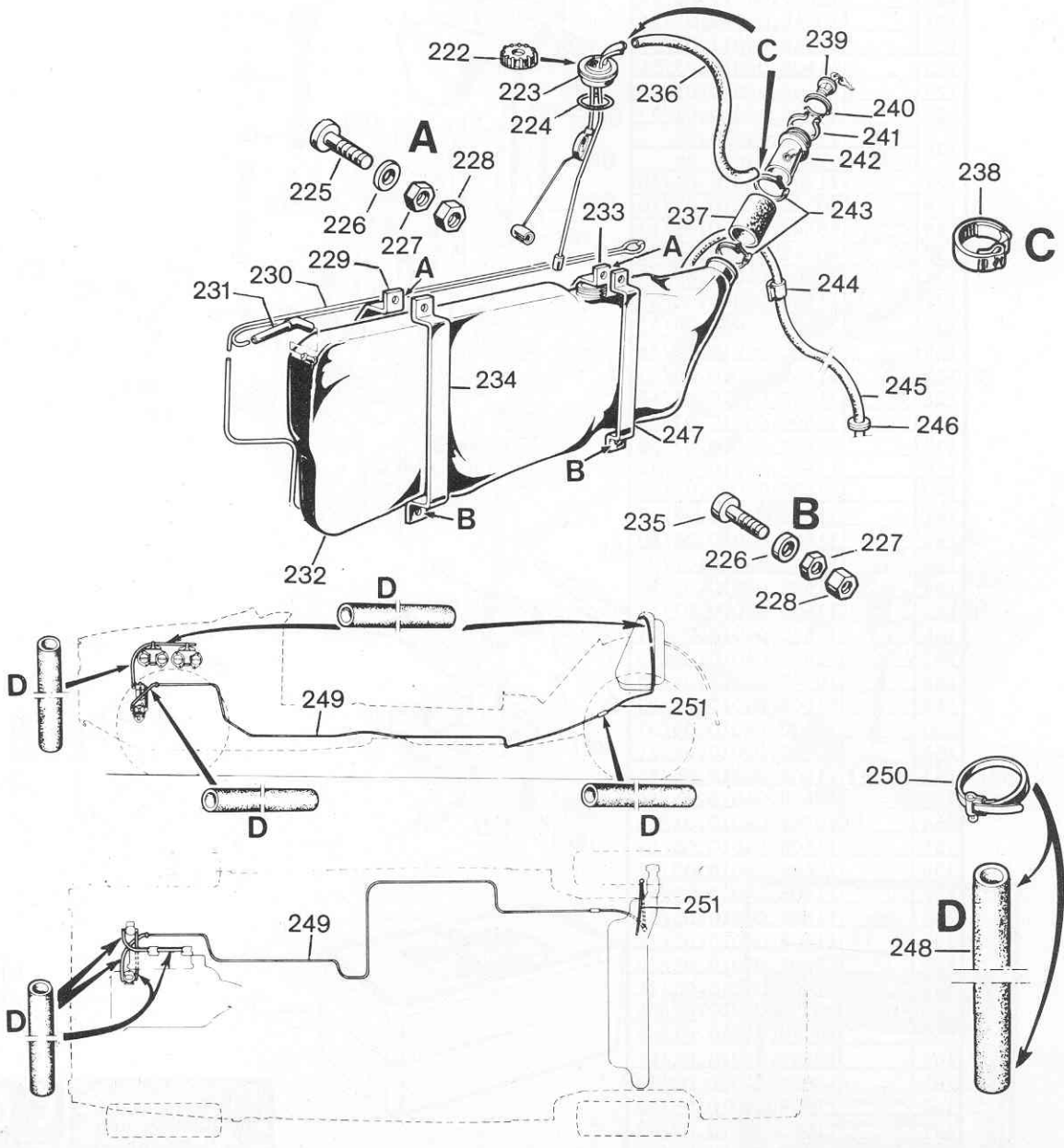
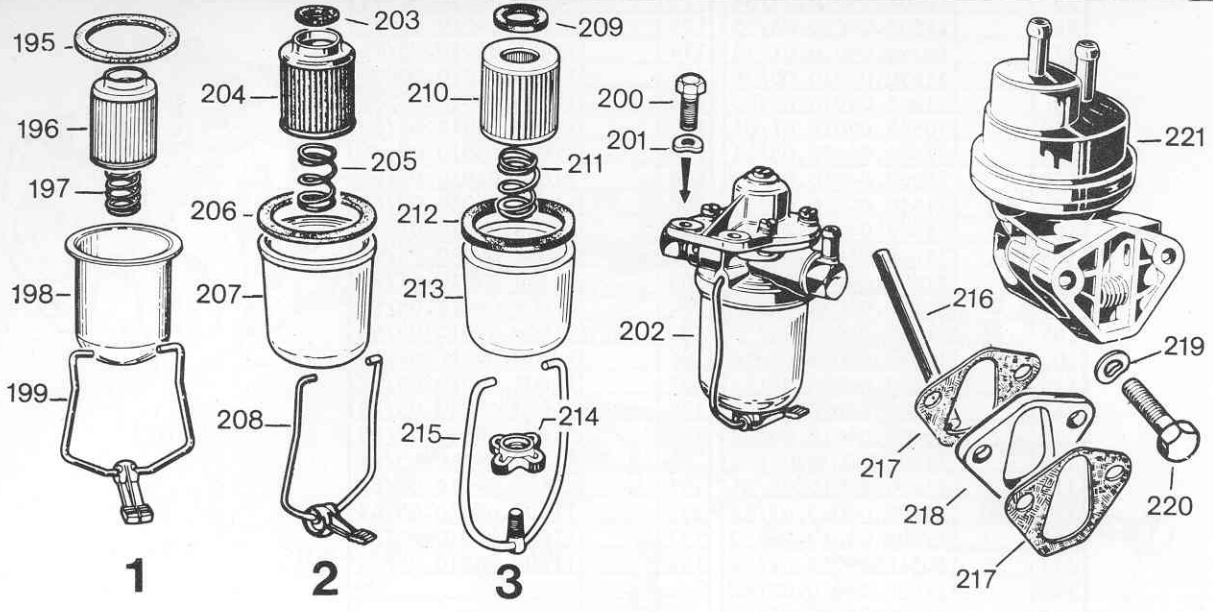
c.c. 1600

DELLORTO

					
95		11608.04010.05/38	172		11650.04010.00/74
96		11608.04010.05/35	173		11608.04010.05/75
97		10548.04010.01/13	174		11608.04010.05/78
98		11650.04010.00/36	175		11650.04010.00/19
99		11608.04010.05/40	176		11608.04010.05/39
100		10548.04010.01/05	177		11608.04010.05/09
101		11608.04010.05/41	178		11608.04010.05/85
102		11608.04010.05/42	179		11600.04010.04/94
103		11650.04010.00/37	180		11608.04010.05/87
104		11608.04010.05/34	181		10548.04010.01/22
105		11608.04010.05/33	182		11608.04010.05/88
106		11600.04010.07/10	183		10548.04010.01/29
107	☒	11650.04010.00/31	184		11608.04010.05/91
108	☒	11623.04010.04/30	185		11608.04010.05/66
109		10548.04010.01/24	186		10548.04010.01/16
110		11608.04010.05/43	187		11608.04010.05/92
111		11608.04010.05/44	188		11608.04010.05/89
112		11608.04010.05/49	189		11608.04010.05/93
113		11608.04010.05/45	190		11608.04010.05/81
114		11608.04010.05/51	191		11608.04010.05/82
115		11608.04010.05/52	192		11608.04010.05/42
116		11608.04010.05/50	193		11608.04010.05/84
117		10548.04010.01/08	194		11608.04010.05/79
118		11650.04010.00/48			
119		11608.04010.05/47			
120		11650.04010.00/46			
121		10548.04010.01/25			
122		10548.04011.01/01			
123		11608.04010.05/54			
124		10548.04010.01/26			
125		10548.04010.01/27			
126	α	11650.04010.00			
	Ω	11650.04011.00			
127		11608.04010.05/58			
128		10548.04010.07/18			
129		10548.04010.01/17			
130		10548.04010.01/01			
131		11608.04010.05/15			
132		11600.04010.06/32			
133		11650.04010.00/55			
134		11650.04010.00/56			
135		11650.04010.00/63			
136		11600.04010.07/A2			
137		11600.04010.07/A3			
138		11600.04010.07/59			
139		11600.04010.07/A4			
140		11608.04010.05/62			
141		11600.04010.07/A5			
142		11608.04010.05/60			
143		10548.04010.01/04			
144		11608.04010.05/53			
145	☒	11600.04010.07/14			
146		11650.04010.00/21			
147		11650.04010.00/95			
148		10548.04010.01/28			
149		11608.04010.05/03			
150		11600.04010.06/07			
151		11600.04010.04/11			
152		11608.04010.05/57			
153		11608.04010.05/66			
154		10548.04010.01/16			
155		11608.04010.05/64			
156		11608.04010.05/67			
157		11608.04010.05/68			
158		11608.04010.05/69			
159		11608.04010.05/72			
160		11608.04010.05/70			
161		11608.04010.05/71			
162		10548.04010.01/06			
163		10548.04010.01/28			
164		10548.04010.01/12			
165		11650.04010.00/20			
166		11608.04010.05/90			
167		11600.04010.07/A3			
168		11608.04010.05/73			
169		11650.04010.00/23			
170		11650.04010.00/A7			
171		11650.04010.00/76			

2









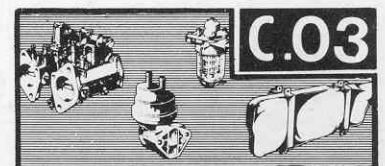
1 TECNOCAR

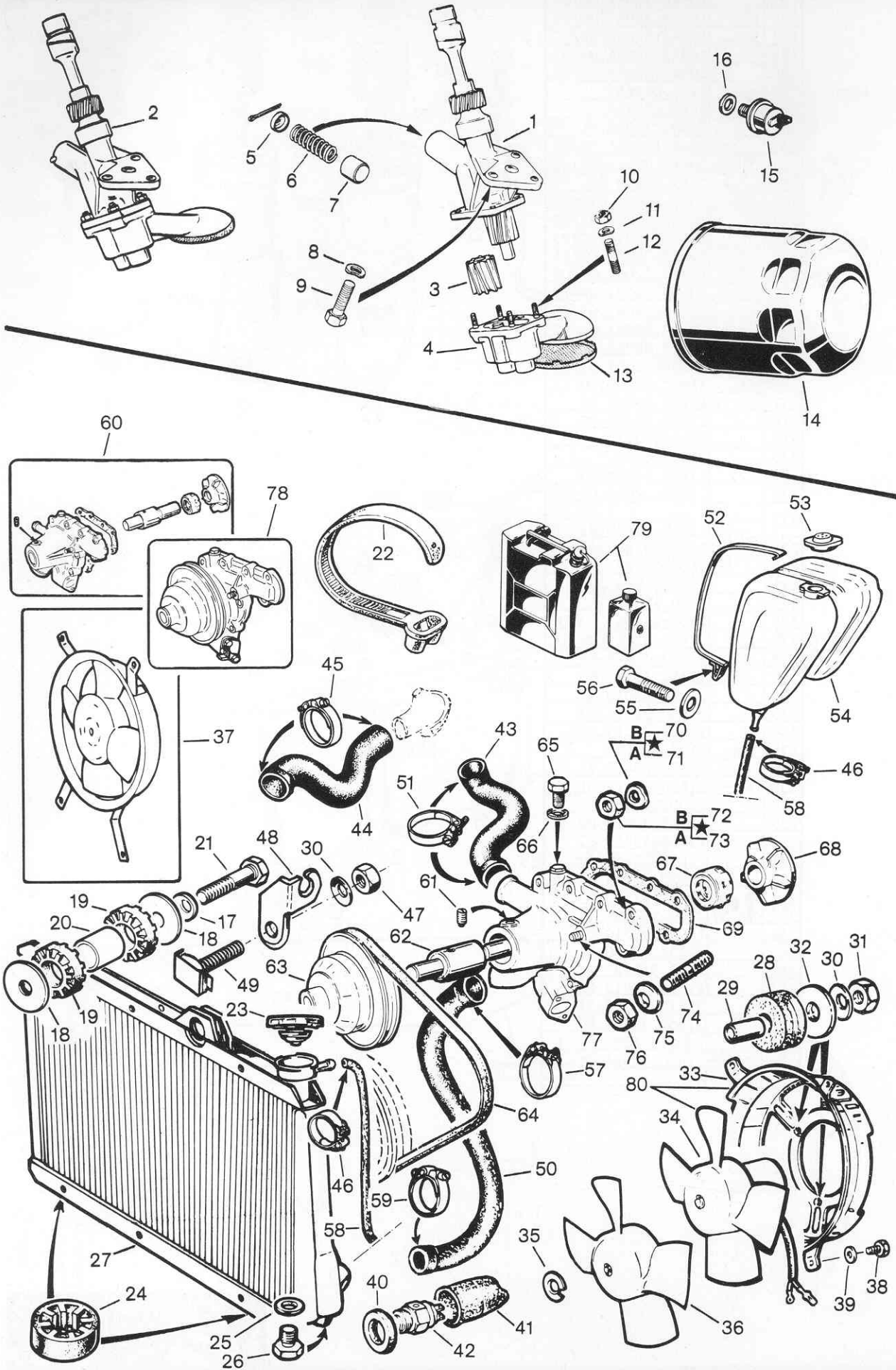
2 FISPA






3 MALPASSI




		
195		10548.32061.00/04
196		10548.32061.00/05
197		10548.32061.03/17
198		10548.32061.03/01
199		10548.32061.03/20
200		2105.00164
201		2145.17352
202		10502.32061.01
203		10202.04061.00/04
204		10548.32061.00/05
205		1365.84408
206		1365.84801.01
207		10502.32061.01/01
208		10502.32061.00/03
209		10548.32061.01/16
210		10548.32061.02/05
211		10548.32061.04/17
212		10548.32061.01/04
213		10548.32061.04/03
214		10548.32061.01/18
215		10548.32061.01/19
216		11600.04205.00
217		11600.04201.00
218		11600.04206.00
219		2140.17353
220		2105.00241
221		11608.04020.03
222		11650.32055.01
223		11650.32050.02
224		11650.32502.01
225		2100.34729
226		2140.16673
227		2120.15051
228		2100.92606
229		11650.32015.01
230		11650.32925.01
231		11650.32267.00
232		11650.32010.01
233		11650.32014.03
234		11650.32013.00
235		2100.34763
236		32352.00452.74
237		11650.32112.01
238		2300.53208
239		11913.32018.00
240		11650.32253.02
241		11650.32254.00
242		11650.32019.00
243		$\varnothing 60$ 2300.53227
	$\varnothing 57$	2300.53226
244		11600.53510.01
245		32352.00450.74
246		2600.31803
247		11650.32012.00
248		33415.00452.24
249		11650.32801.01
250		2300.52505
251		11650.32924.01

1





		
1	H	11608.06013.00 11655.06013.00
2	H	10514.06011.01 11655.06011.00
3	H	10514.06105.04 11655.06108.00
4		11608.06010.00
5		1315.58006
6		10514.06128.00
7		1315.58005
8		2140.17353
9		2100.02005
10		2120.15027
11		2140.17352
12		2100.05138
13		11608.06321.00
14		11600.06030.99
15		10548.06323.02
16		2340.32231
17		2100.81434
18		11600.31459.00
19		11600.31407.01
20		11600.31408.01
21		2105.12271
22		11608.07949.01
23		10548.31067.00
24		11600.31432.00
25		2340.32028
26		10541.31430.00
27	D	11650.31041.03 11655.31041.00
28		11608.07266.00
29		11608.07235.00
30		2100.81408
31		2125.15027
32		2145.16673
33	BC	11655.31042.00
34	B	11655.07021.01
35	A	11608.07021.00/02
	B	11608.07021.01/02
	C	11608.07021.02/02
36	A	11655.07045.02/01
	B	11655.07021.00/01
	C	11655.07021.01/01
37	A	11655.07045.02
38		2105.02575
39		2100.81408
40		2340.32343
41		11600.07950.00
42		11600.07256.02
43	1.3	11601.01628.01
	1.6	11600.01628.02
44		11655.31801.00
45		2300.53220
46		2300.53204
47		2125.15027
48		11608.05902.00
49		2100.34736
50		11655.31800.00
51		10512.01663.00
52		11608.31055.00
53		10548.31409.00
54		11650.31050.00
55		2145.16673
56		2105.00174
57		2300.53222
58		33411.20501.52
59		2300.53220
60		10526.07336.00
61		10548.07229.01
62		10500.07205.00
63		11600.07201.04
64		11610.02103.00
65		2105.00162
66		2340.32328
67		10544.07237.00
68		10548.07204.03
69		11608.07203.00

		
70		2145.17352
71		2145.17365
72		2125.15027
73		2125.20043
74		2100.08378
75		2100.81434
76		2125.20068
77		11608.07200.00
78		11609.07024.00
79	E	3681.69958/2
	F	3681.69958/1
	G	3681.69956/1
80	D-A	11650.07045.03
		11650.07045.04

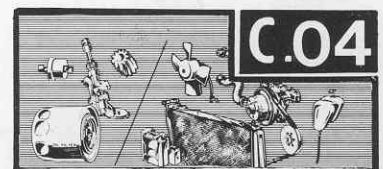
A IB-MEC
B BOSCH
C RABOTTI

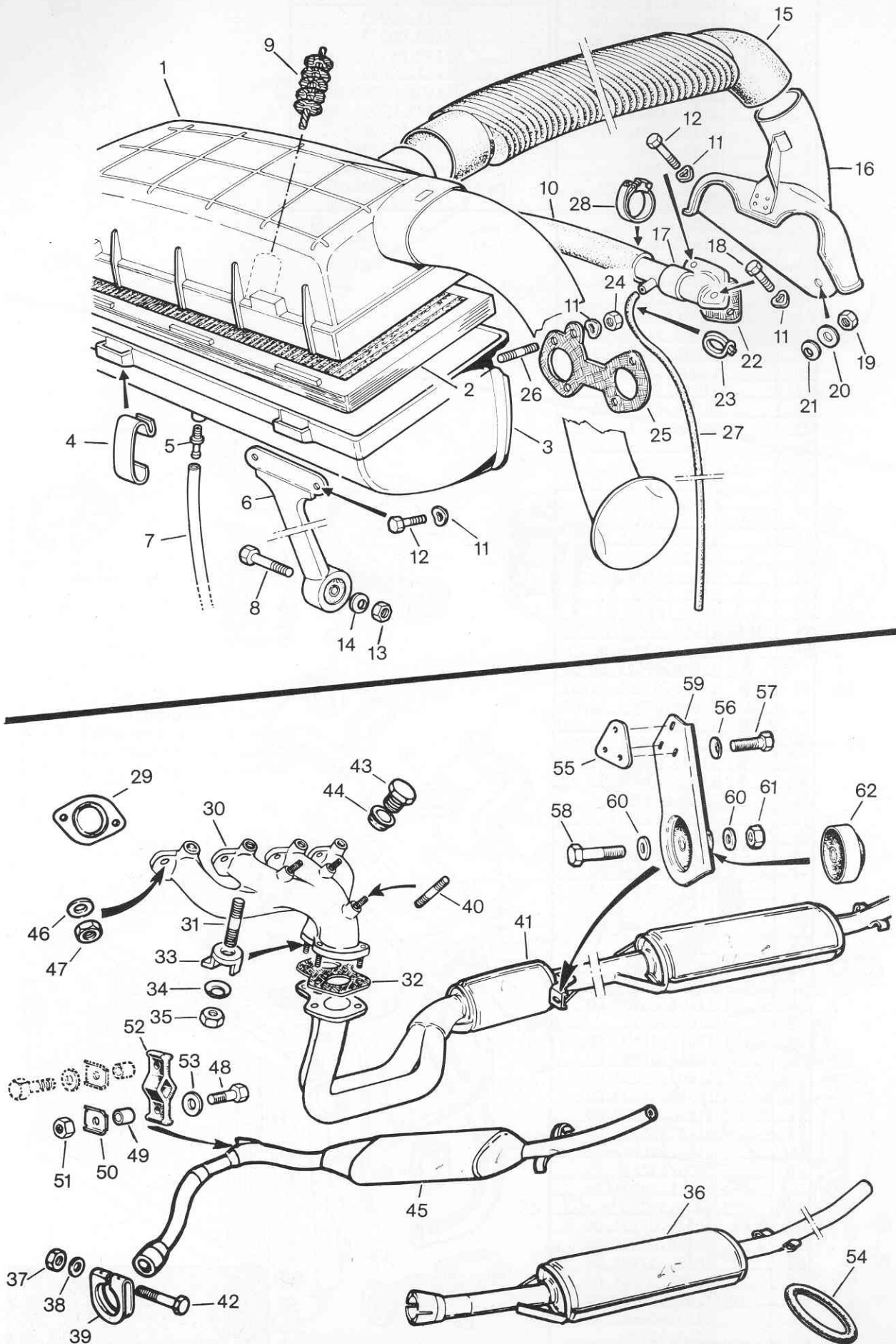
D { Per condizionatore
Pour conditionnement d'air
For Air-conditioner
Für Klimaanlage






E 1t. 10 { Diluito
F 1t. 1 { Dilué
Diluted
Verdünnt

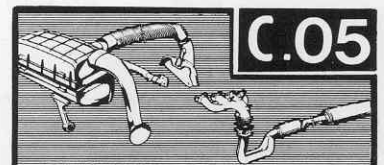
G 1t. 1 { Concentrato
Concentré
Concentrated
Konzentriert

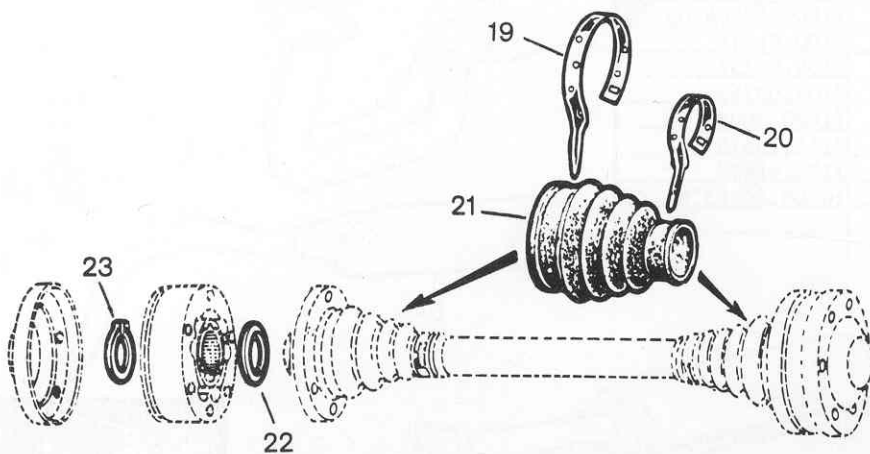
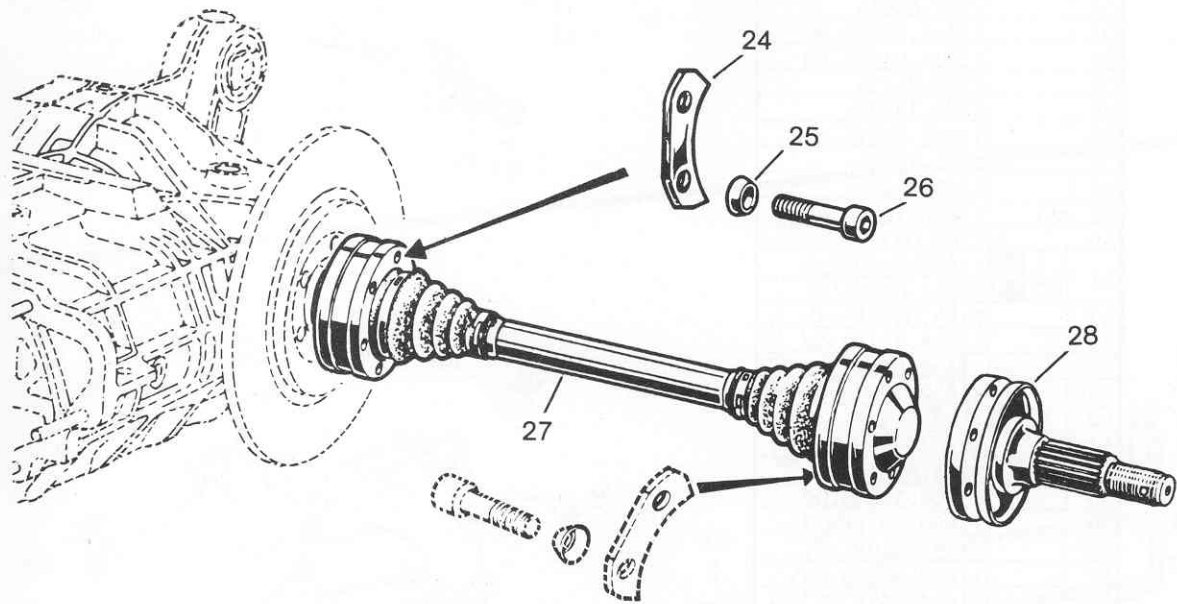
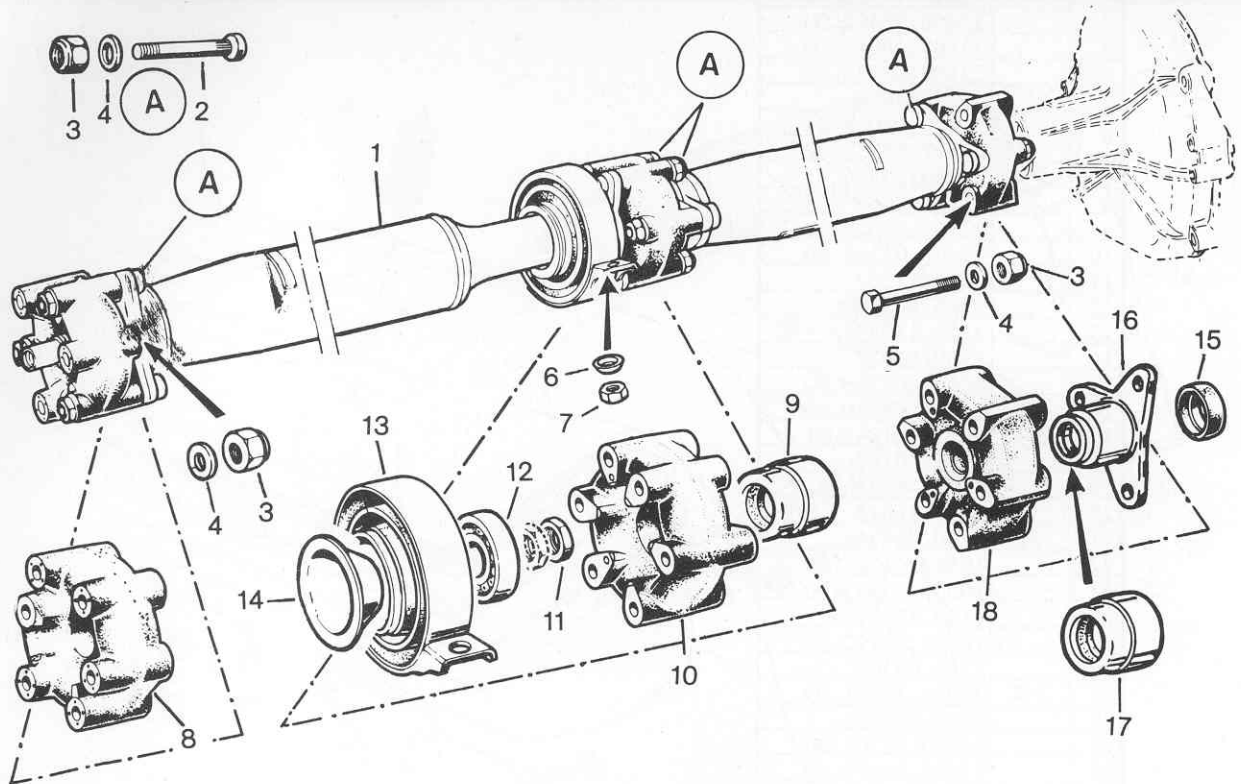
H { Materiale sinterizzato
Materiel fritté
Sintered material
Werkstoff Gesintert







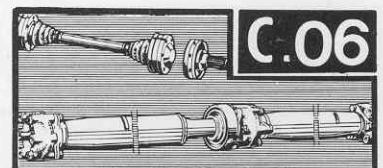


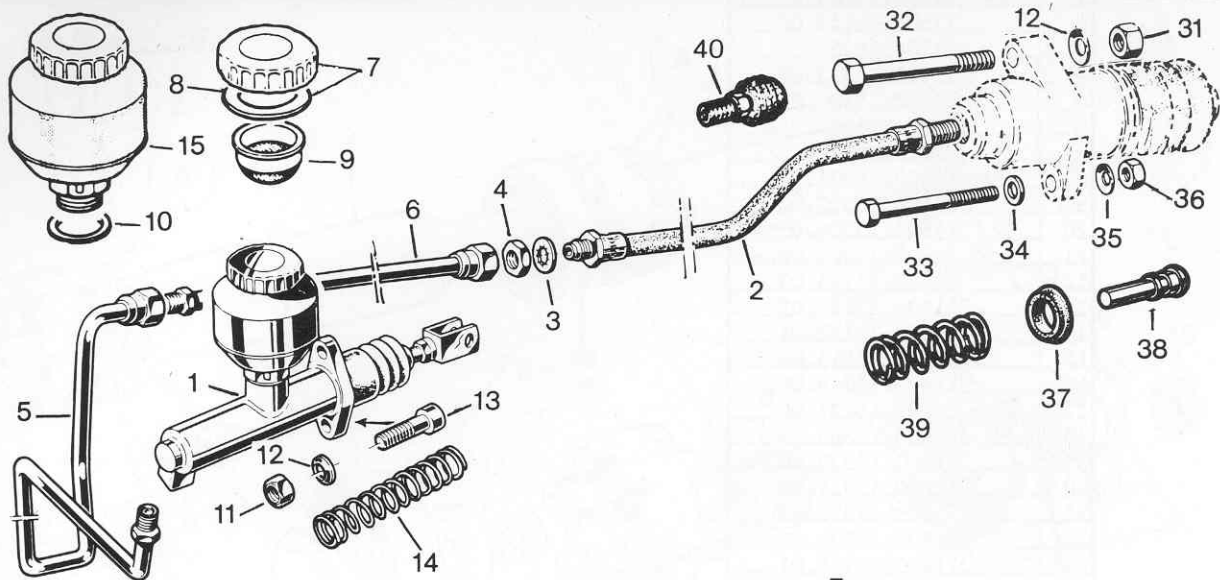
			
1			11650.08010.00
2			11600.08402.00
3			11608.08011.00
4			11608.08576.00
5			1315.44076
6		16	11600.08055.01
		13	11601.08055.00
7			3405.10040
8			2105.02039
9			11600.08029.00
10			11608.01146.00
11			2145.17352
12			2105.00168
13			2125.15039
14			2100.81437
15			11650.08189.00
16			11650.08020.00
17			10548.01144.01
18			2105.00166
19			2120.20139
20			2145.16675
21			2100.81434
22			10502.01577.00
23			10551.04435.00
24			2125.15027
25			10106.04110.00
26			2100.05105
27			33414.10701.09
28			2300.53215
29			10500.01704.00
30			11650.01071.00
31			2100.08064
32			11634.30700.00
33			11601.01753.00
34			2100.81434
35			2120.15459
36			11655.30015.00
37			2125.15104
38			2145.16654
39			11600.30204.01
40			2100.08379
41		16	11650.30002.00
		13	11644.30002.01
42			2105.00254
43			11608.01749.00
44			11608.01747.00
45			11650.30003.00
46			2100.81434
47			2120.20139
48			2105.00239
49			11600.30843.00
50			11600.30316.00
51			2125.92408
52			11600.30815.00
53			2145.16654
54			11600.30083.00
55			11600.30804.00
56			2100.81414
57			2105.00237
58			2105.00245
59			11600.30082.00
60			2145.16675
61			2125.92408
62			10500.30083.00



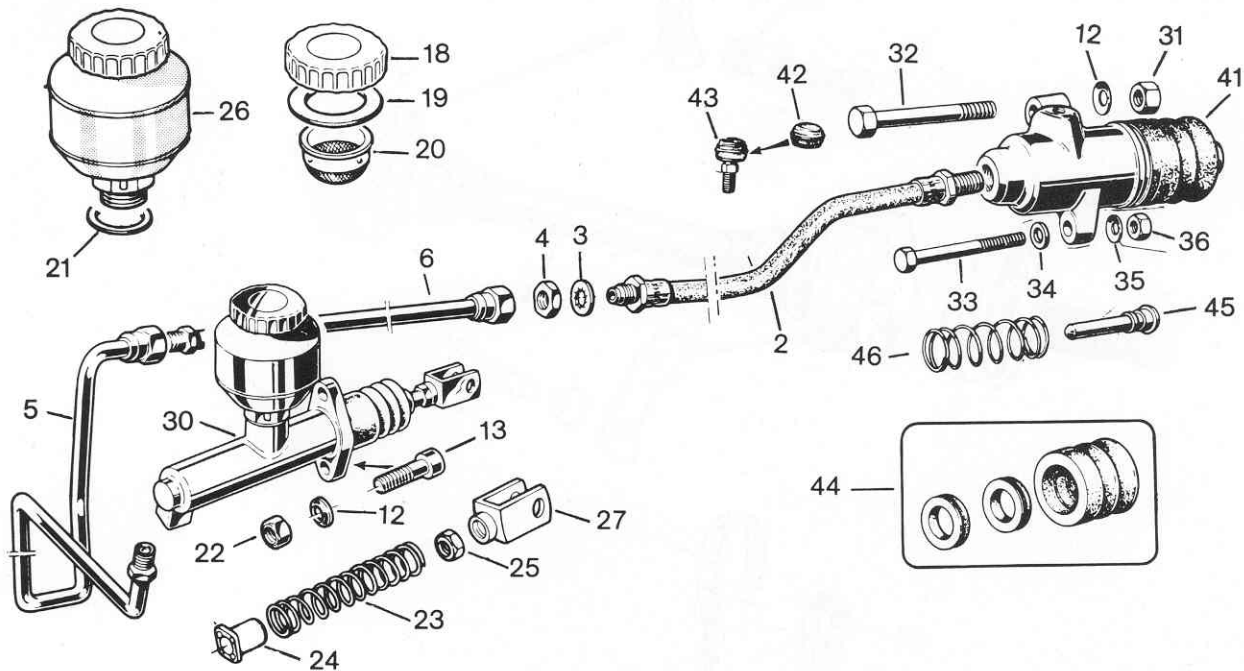
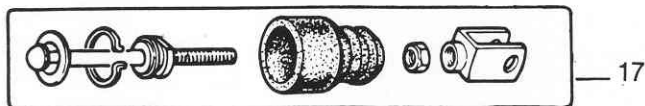


		
1		11608.15002.03
2		11608.15113.00
3		2120.92855
4		11608.15333.00
5		11608.15207.01
6		2100.81434
7		2120.20054
8	α	11608.15301.07
9		11608.15037.00
10	\oplus	11608.15300.05
11		11600.15524.00
12		11608.15123.03
13		11608.15127.02
14		11608.15132.01
15		11608.15513.00
16		11608.15044.00
17		11608.15037.00
18	Ω	11608.15300.05
19		11600.17933.00
20		11600.17934.00
21		11650.17932.03
22		11600.17936.00
23		11600.17935.01
24		11600.17924.01
25		2100.81434
26		11650.17319.00
27		11650.17047.04
28		11600.25041.03

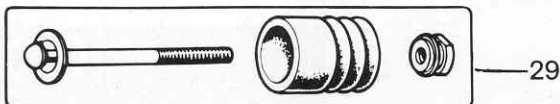
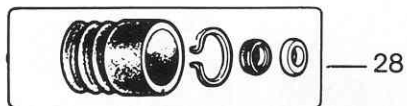

















1

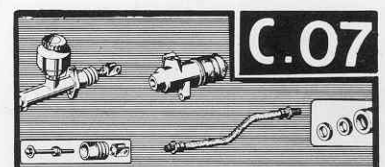


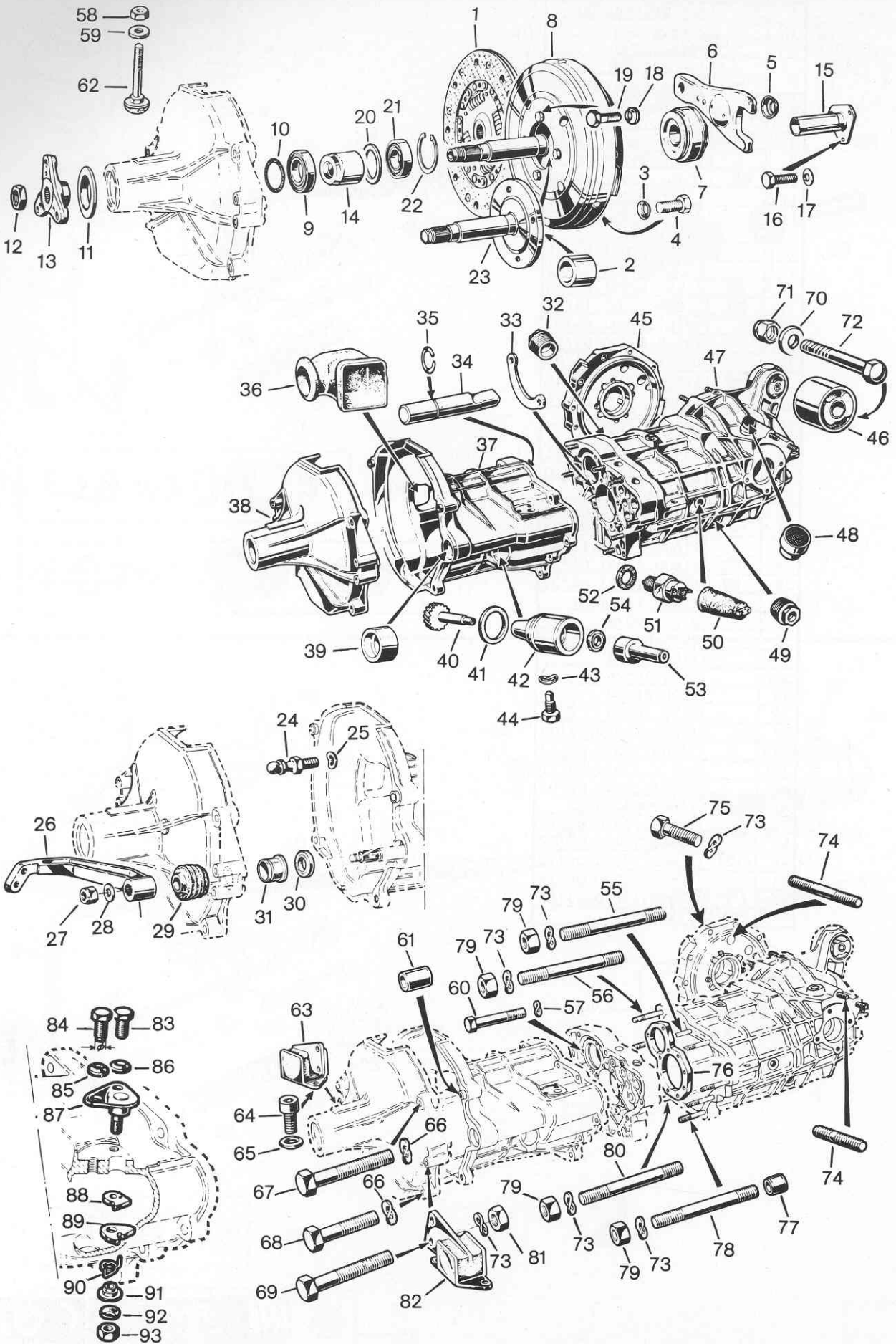
2









1 = ATE
2 = BENDITALIA

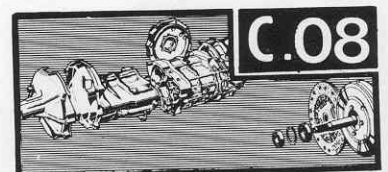
		
1		11600.12051.11
2		10541.12898.00
3		2145.17278
4		2125.15525
5		11608.12091.04
		11609.12091.00
6		11608.12092.01
7		10564.12051.01/03
8		10564.12051.01/26
9		10544.45715.00
10		10564.12051.01/16
11		2125.20054
12		2100.81434
13		2105.04185
14		11600.12051.03/21
15		10564.12051.01/01
16		11600.12051.03/30
17		11600.12051.11/31
18		10564.12051.04/03
19		10548.45050.01/26
20		10548.45050.01/07
21		11609.12051.00/16
		10564.12051.04/16
		2125.20054
22		2125.20078
23		10564.12051.04/11
24		10564.12051.04/10
25		2120.15046
		10564.12051.04/01
26		11609.12051.00/01
27		11600.12051.12/05
28		11600.12051.04/30
29		11600.12051.04/31
30		11609.12051.01
31		2125.20078
32		2105.02070
33		2105.02594
34		2145.16526
35		2100.81428
36		2125.20042
37		11600.12050.05/03
38		11600.12050.05/12
39		10512.12050.00/11
40		10541.12050.01/07
41		11600.12050.12
42		10548.12050.02/11
43		10548.12050.02/07
44		11600.12050.06/17
45		11600.12050.06/14
46		10548.12050.03/13









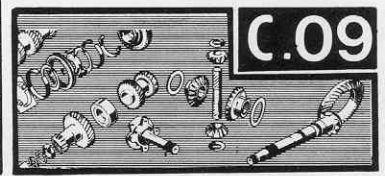
		
1		11608.12032.14
2		11600.12459.00
3		2100.81431
4		11608.12906.00
5		10541.12413.00
6		11600.12041.02
7		11600.12042.02
8		11608.12030.03
9		11608.15123.03
10		11608.12938.00
11		11608.12460.00
12		11600.12712.03
13		11608.12713.00
14		11608.12924.00
15		11600.12043.05
16		2105.00163
17		2100.81428
18		2100.81434
19		11608.12919.00
20		11608.12940.00
21		11608.12454.01
22		11608.12937.00
23		11608.12058.02
24		11600.13333.00
25		2145.17354
26		11610.41306.00
27		2120.92875
28		2145.16664
29		11600.41128.02
30		11600.13573.01
31		11600.13657.00
32		11600.13908.00
33		11600.13945.00
34		11600.13140.07
35		11600.13946.00
36		11600.12507.01
37		11600.13008.05
38		11608.13100.01
39		11608.13092.00
40	1.3	11601.13401.01
	1.6	11650.13401.00
41		2340.35031
42		11600.13402.00
43		2145.17353
44		11600.13404.00
45		11600.17015.01
46		11610.13080.00
47		11608.13010.01
48		1356.15024
49		14100.13122.00
50		11600.13942.00
51		11600.13534.01
52		2340.32235
53		11610.13425.00
54		10548.13823.01
55		2100.09434
56		2100.08078
57		2145.17365
58		2120.15104
59		2140.16675
60		2100.20180
61		11600.13188.00
62		11600.13079.00
63		11600.13078.01
64		2105.04185
65		2100.81434
66		2145.17354
67		2105.02042
68		2105.02040
69		2105.02065
70		2145.16678
71		2120.92856
72		2105.01122
73		2145.17353
74		11600.17931.00
75		2105.02011
76		11600.13499.03
77		11600.13170.00

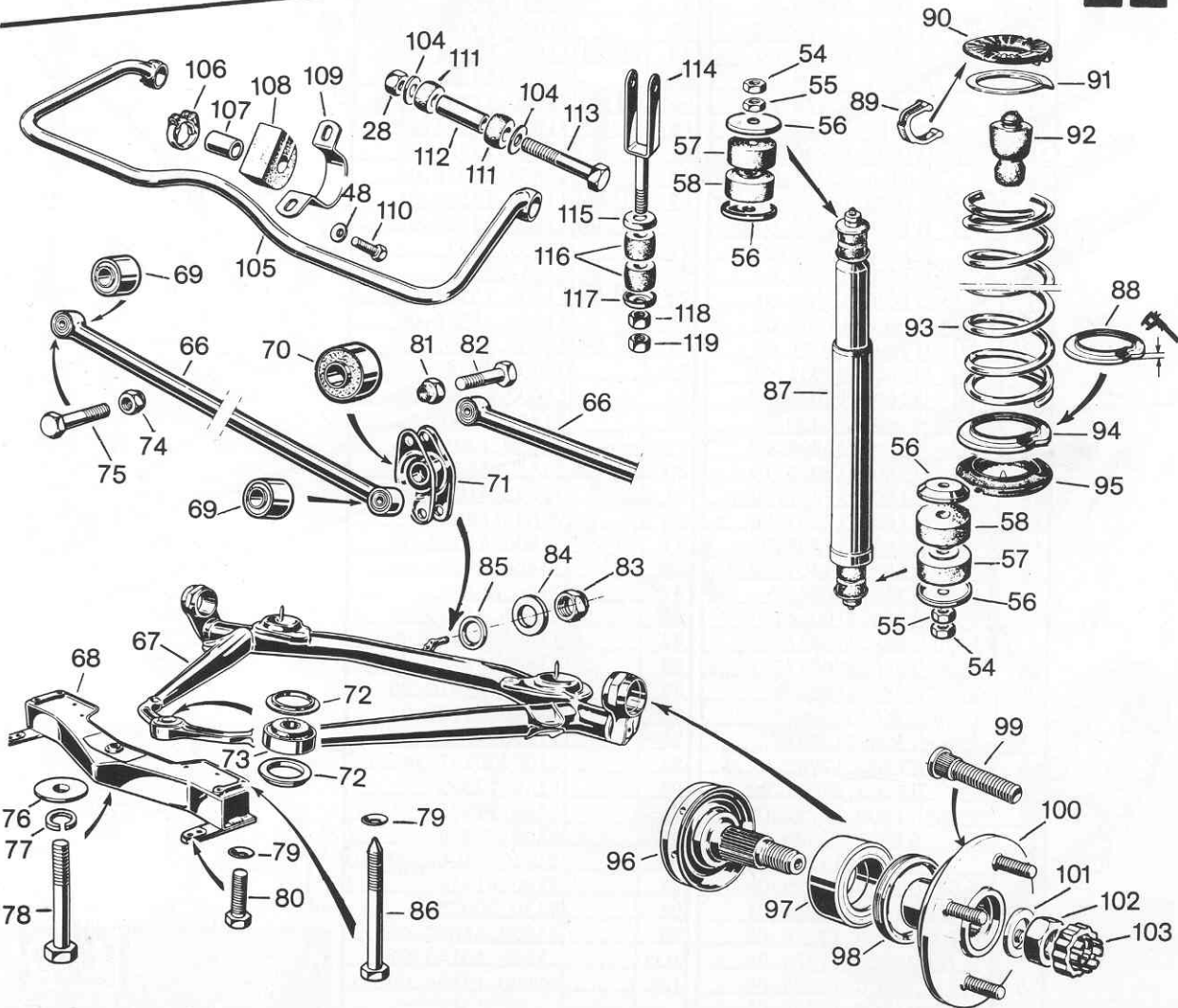
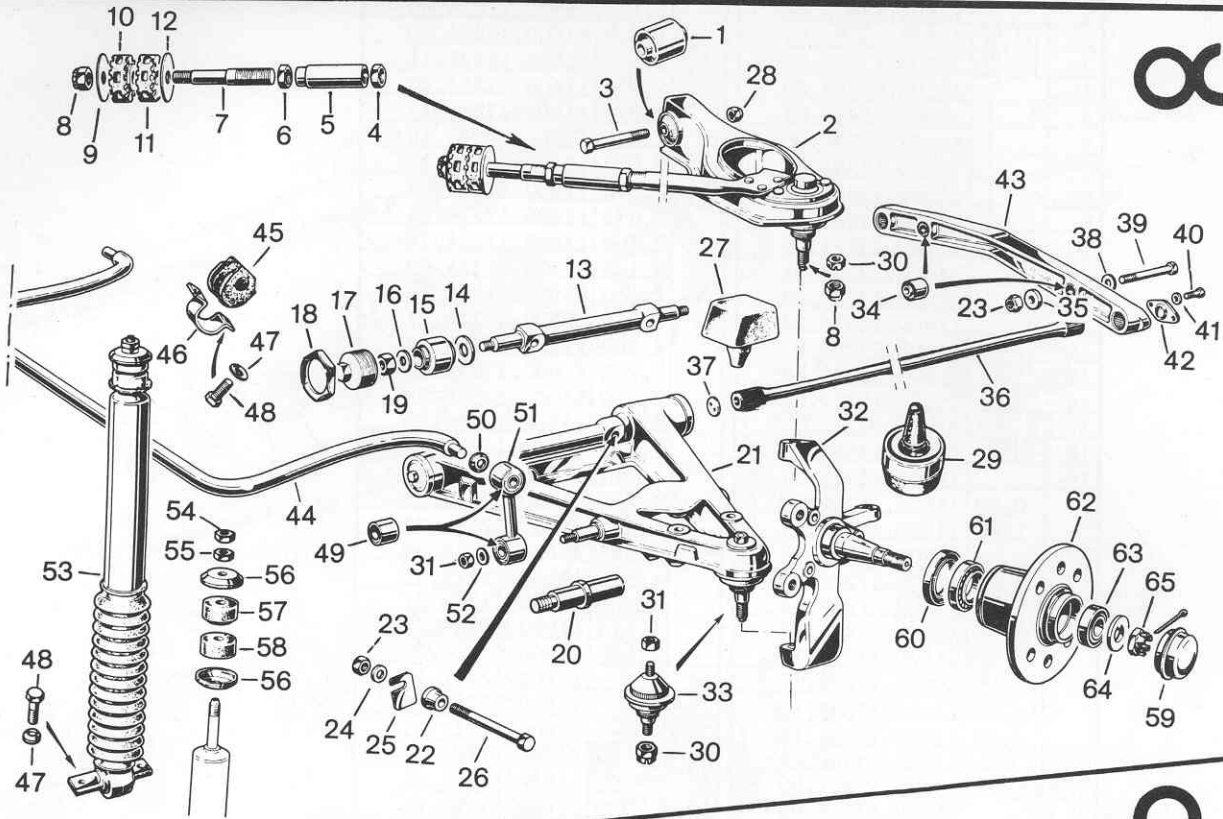
		
78		2100.09434
79		2125.20011
80		2100.08076
81		2125.20078
82		11600.13081.01
83		2105.02024
	7	11600.13900.02
84	∅	8 11600.13900.03
		9 11600.13900.04
85		2100.81437
86		2100.81434
87		11600.13095.01
88		11600.13607.00
89		10508.13607.00
90		10508.13623.00
91		11600.13912.00
92		2100.81428
93		2125.20042



		
1		11608.13028.06
2	3 4	11608.13206.06
3	R 5	11608.13301.01
4		11600.13586.05
5		11600.13421.01
6		11600.13498.00
7		11600.13594.02
8		11600.13247.00
9		11600.13199.00
10		11600.13271.00
11		11600.13589.01
12		11600.13224.01
13		11600.13420.02
14		11600.13587.03
15		11600.13390.00
16	4	11608.13371.00
17		11608.13302.02
18	5	11600.13304.07
19		11600.13223.01
20	0,08	11600.17204.10
	1,60	11600.17204.11
	1,65	11600.17204.12
	1,70	11600.17204.13
	1,75	11600.17204.14
	1,80	11600.17204.15
	1,85	11600.17204.16
1,90	11600.17204.17	
1,95	11600.17204.18	
2,00	11600.17204.19	
21	2	11608.13368.00
22	3	11608.13221.00
23		11600.13248.02
24		11600.13419.02
25		11601.13225.04
26	2	11608.13025.09
27		11600.13217.00
28		10514.13216.03
29		11600.13229.00
30		10514.13227.01
31		11600.13230.02
32		10514.13219.05
33	1 2	11600.13218.02
34	1	11608.13027.05
35		11600.13227.02
36		11600.13228.02
37		11600.13230.04
38	5	11600.13308.02
39	4	11608.13021.02
40	5	11608.13031.01
41	3	11608.13023.09
42	3 4	11600.13320.02
43	R	11600.13208.09
44		11600.13029.10
45		11600.17207.00
46		11600.17203.00
47		11600.17208.01
48		11600.17201.00
49	1,65	1356.31004
	1,60	1356.31004/1
	1,70	1356.31004/2
	1,55	1356.31004/3
	1,40	1356.31004/4
	1,45	1356.31004/5
1,50	1356.31004/6	
50		11600.17200.02
51		11600.17332.00
52		11600.17293.00
53		11600.17608.00
54		11600.17294.00
55	0,080	11600.17224.00
	1,675	11600.17224.01
	1,700	11600.17224.02
	1,725	11600.17224.03
	1,750	11600.17224.04
	1,775	11600.17224.05
	1,800	11600.17224.06
1,825	11600.17224.07	
1,850	11600.17224.08	

		
1,875		11600.17224.09
1,900		11600.17224.10
1,925		11600.17224.11
1,950		11600.17224.12
1,975		11600.17224.13
2,000		11600.17224.14
2,025		11600.17224.15
2,050		11600.17224.16
2,075		11600.17224.17
2,100		11600.17224.18
2,125		11600.17224.19
2,150		11600.17224.20
2,175		11600.17224.21
2,200		11600.17224.22
2,225		11600.17224.23
2,250		11600.17224.24
1,425		11600.17224.25
1,450		11600.17224.26
1,475		11600.17224.27
1,500		11600.17224.28
1,525		11600.17224.29
1,550		11600.17224.30
1,575		11600.17224.31
1,600		11600.17224.32
1,625		11600.17224.33
1,650		11600.17224.34
56		11600.17191.00
57		11600.17216.00
58		11600.17211.01
59	9/41 1.3	11644.17021.02
	10/43 1.6	11650.17021.01
60		11650.17065.00
		11650.17066.00
61		2105.04185
62		2100.81434
63	3 4	11608.13501.01
64		2160.18868
65	5 R	11600.13505.05
66		11608.13572.02
67		11600.13954.00
68		11608.13058.01
69	1 2	11608.13500.01
70	1 2	11608.13503.02
71		2145.17353
72		2105.02006
73	3 4	11608.13504.02
74		11600.13506.02
75	5 R	11608.13502.00
76		2900.34026
77		11600.13508.06
78		11600.13509.02
79		11650.13069.01
80		2145.16672
81		11642.41010.02
82		2100.16865
83		11600.41309.00
84		11600.41404.01
85		2100.02624
86		11600.41650.02
87		11600.41194.00
88		11600.41146.02
89		11600.41610.00
90		11600.41192.02
91		11600.41117.03
92		2100.00237
93		2140.17353
94		2100.81431
95		2120.92824
96		11610.41062.00
97		2100.81414
98		2120.20078
99		11608.41040.04
100		11600.13140.07
101		11600.13946.00

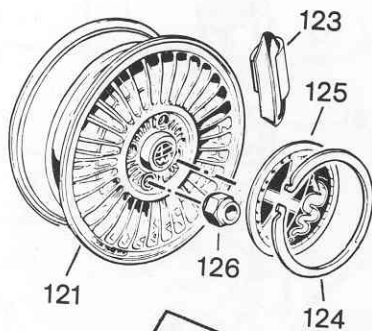




1		11600.21318.01
2	◀	11600.21097.00
	▶	11600.21098.00
3		2100.20254
4		11600.21258.00
5		11600.21256.00
6		11600.21257.00
7		11600.21263.02
8		2120.92866
9		11600.21287.00
10		11600.21288.02
11		11600.21289.00
12		11600.21286.00
13		11600.21301.01
14		11600.21591.00
15		11600.21024.00
16		11600.21594.00
17		11600.21357.01
18		11600.21757.00
19		11600.21336.01
20		11600.21623.00
21	▶	11600.21038.01
	◀	11600.21039.01
22		11600.21323.01
23		2120.92856
24		11608.21595.00
25		11600.21327.00
26		11600.21342.00
27		11634.21527.00
28		2120.92855
29		11600.21502.02
30		2125.15526
31		2120.92408
32	▶	11650.21010.01
	◀	11650.21011.01
33		11600.21019.00
34		11600.21389.01
35		11600.21390.00
36	▶	11650.21505.00
	◀	11650.21506.00
37		11600.21359.00
38		11600.21592.00
39		2105.01126
40		2105.00162
41		2100.81408

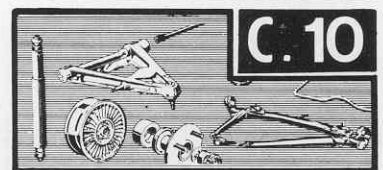
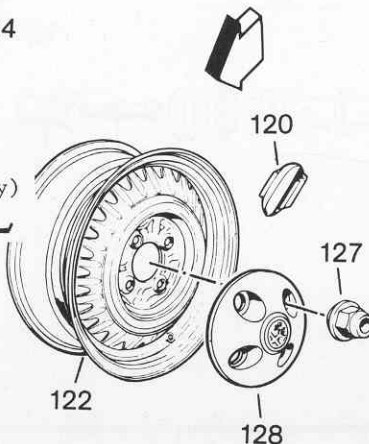
42		11600.21556.01
43		11600.21053.01
44		11655.21600.00
45		11655.21602.00
46		11600.21603.05
47		2100.81434
48		2105.02004
49		1356.45090
50		10541.21613.00
51		11600.21064.02
52		11600.21774.00
53		11650.21070.00
54		2125.15055
55		11600.25671.01
56		11600.21070.09/05
57		11600.21070.09/03
58		11600.21070.09/04
59		11600.21425.00
60		11600.21730.07
61		11600.21413.03
62		11600.21400.05
63		11600.21408.00
64		11600.21402.00
65		10548.21404.00
66		11600.25034.03
67		11600.25016.13
68		11600.25033.06
69		11600.25068.01
70		11600.25067.01
71		11600.25086.01
72		11600.25651.00
73		11600.25012.03
74		2120.92875
75		2100.02042
76		11600.25652.01
77		2140.17028
78		2100.02846
79		2100.81437
80		2100.02035
81		2120.92875
82		2100.02465
83		11600.25152.00
84		11600.25175.00
85		11600.25367.01
86		11600.25471.01

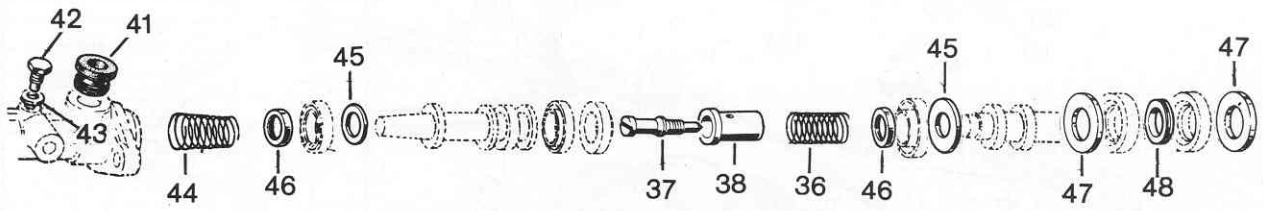
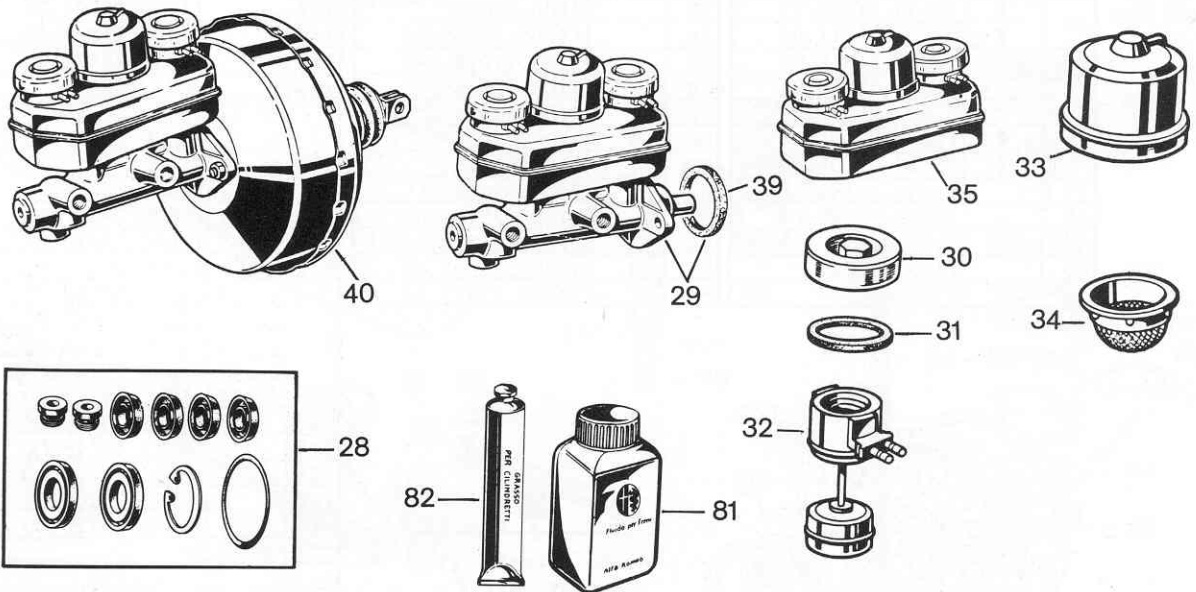
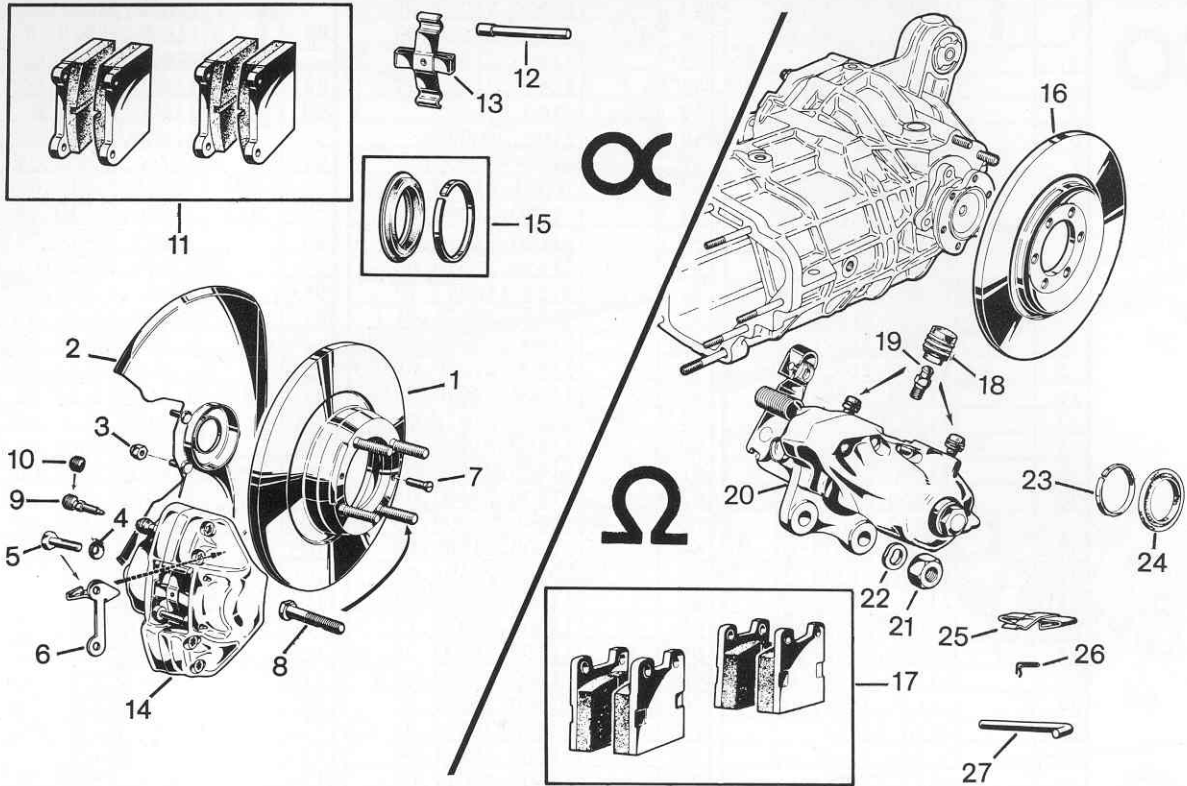
87		11650.25070.01
	7	11600.25528.05
88	14	11600.25528.06
	21	11600.25528.07
89		11600.25658.02
90		11600.25535.04
91		11600.25514.01
92		11600.25503.04
		11634.25510.00
93		11600.25510.13
94		11600.25514.01
95		11600.25506.01
96		11600.25041.03
97	▶	11600.25401.03
	◀	11600.25457.03
98		11600.25458.03
99		11600.25417.01
100		11610.25040.00
101		11600.25460.03
102		11600.25659.00
103		11600.25660.01
104		11600.25602.00
105		11600.25084.10
106		2300.53214
107		11600.25975.00
108		11600.25069.10
109		11600.25610.02
110		2100.02004
111		11600.25603.01
112		11600.25605.00
113		2100.02465
114		11600.25064.02
115		11600.25606.00
116		11600.25601.01
117		11600.25606.00
118		11600.25671.00
119		2125.15047
	gr.10	11608.28048.03
	gr.20	11608.28044.03
120	gr.30	11608.28045.03
	gr.40	11608.28046.03
	gr.50	11608.28047.03
121	▲	11650.28010.04
122	■	11650.28010.03
	gr.10	11650.28143.00
	gr.20	11650.28144.00
123	gr.30	11650.28145.00
	gr.40	11650.28146.00
	gr.50	11650.28147.00
124		10512.28118.00
125		10512.28119.00
126		10512.28100.03
127		10512.28100.02
128		11650.28120.00



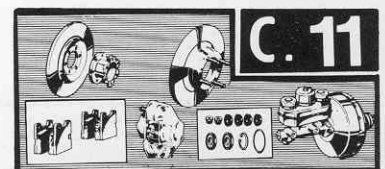
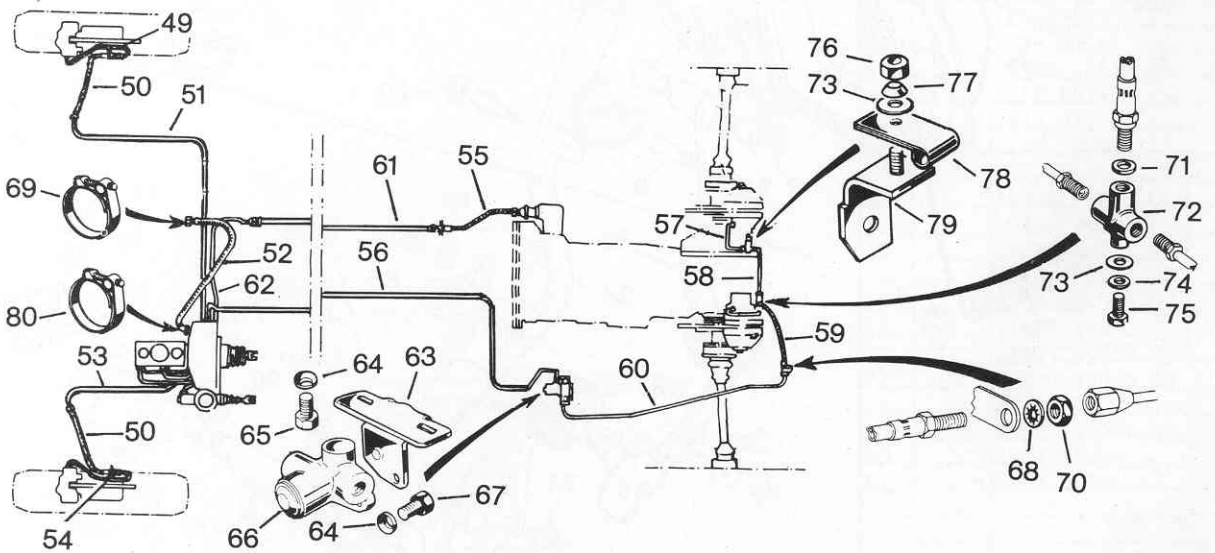
Ruote normali
 Roues standar
 Standar wheels
 Serienmässige Felgen

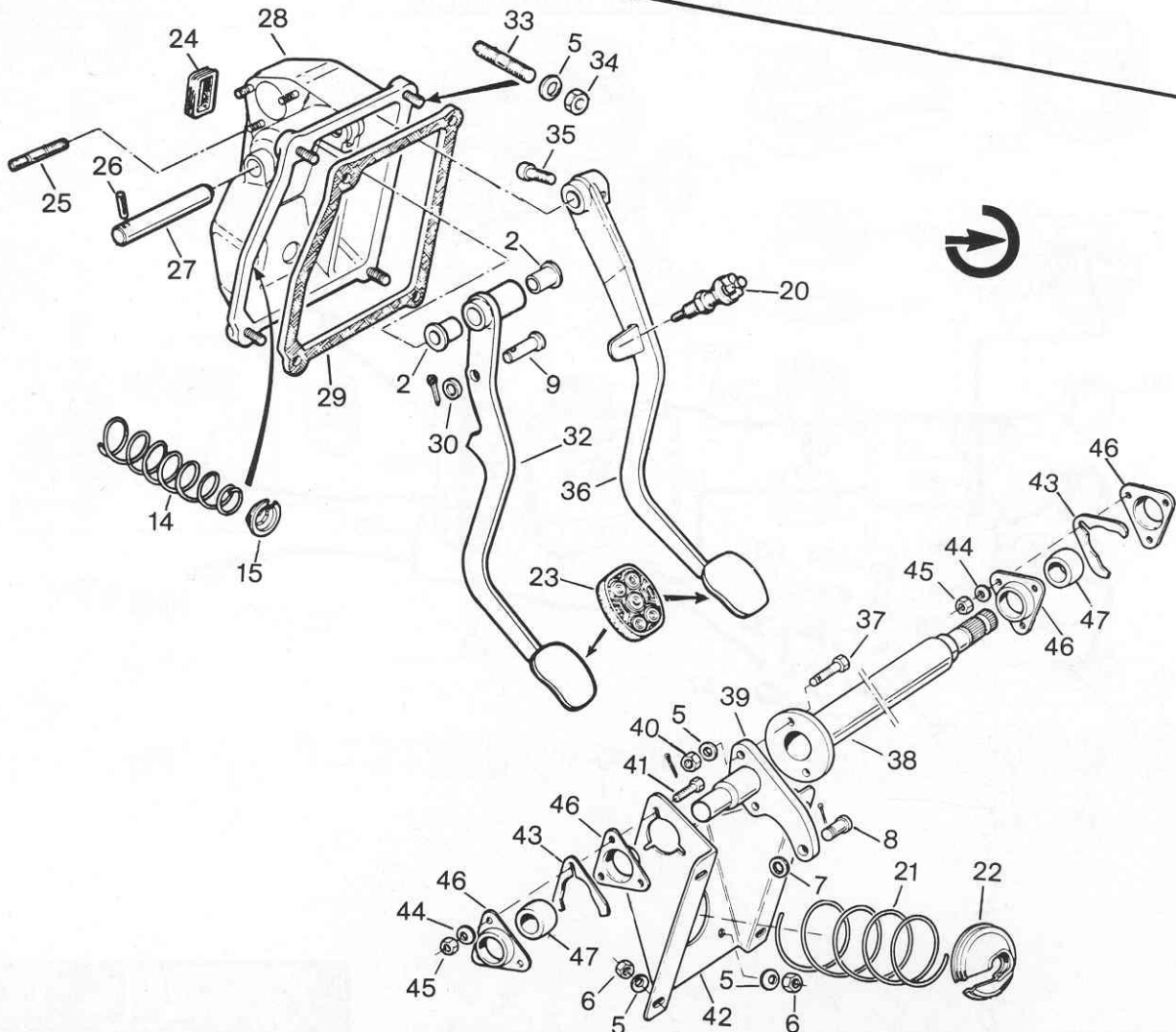
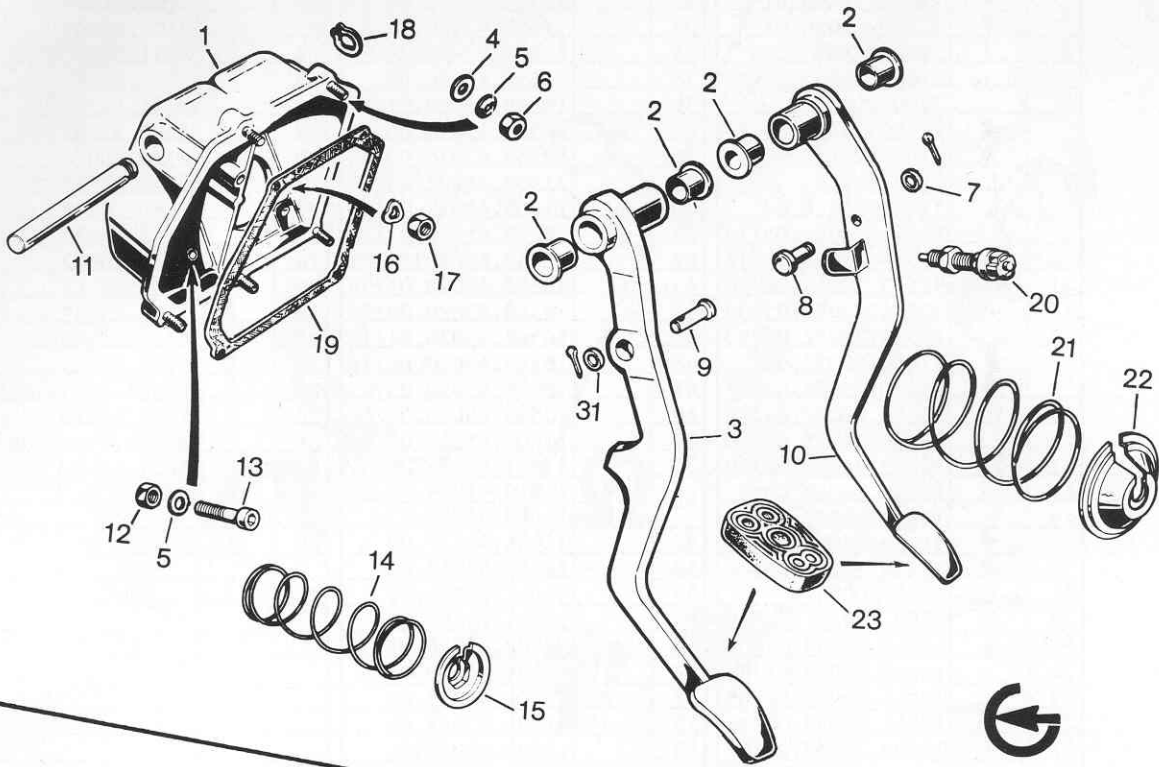
Ruote in lega leggera
 Roues coulées
 Casted wheels (light alloy)
 Leichtmetallfelgen





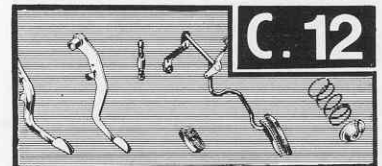
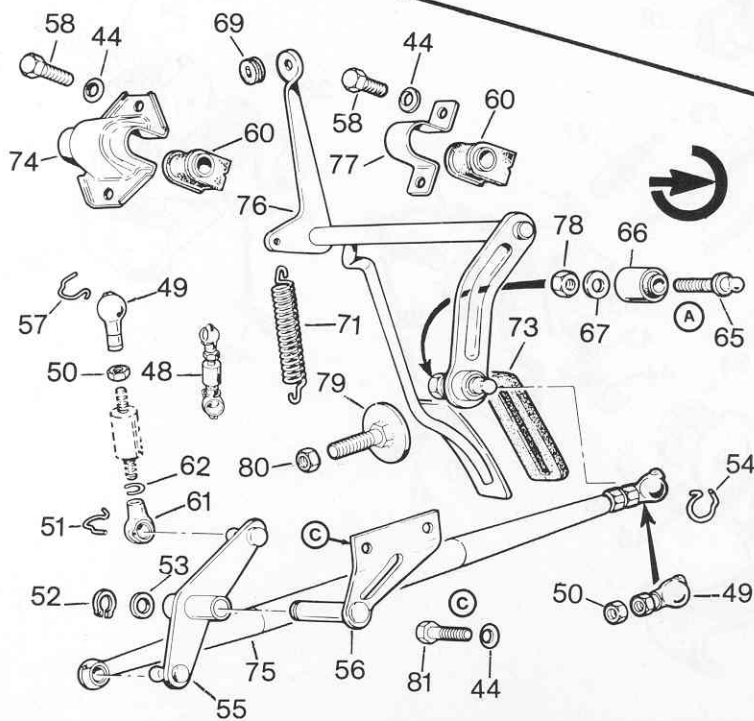
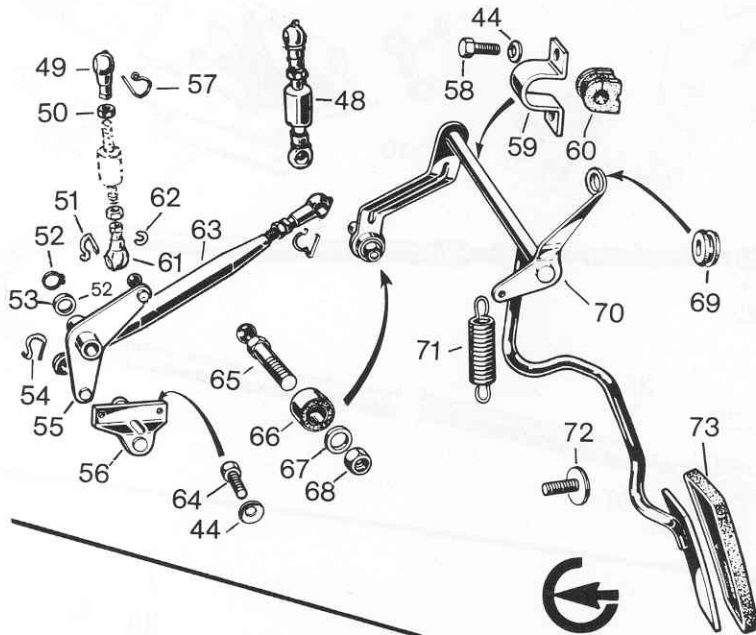
1		11650.22014.01	31		10564.45050.00/02	63		10512.45737.00
2	↕	11650.22049.01	32		10564.45050.00/03	64		2100.81414
	↘	11650.22050.01	33		11650.45050.00/05	65		2105.00235
3		2120.92805	34		11650.45050.00/03	66		10512.45028.01
4		2100.81440	35		11650.45050.00	67		2105.00233
5		2100.20257	36		10548.45020.03/02	68		2145.17277
6	↕	11600.22122.00	37		10564.45020.00/39	69		2300.53209
	↘	11600.22123.00	38		10564.45020.00/38	70		2120.20070
7		2100.11236	39		11600.45022.03/01	71		2340.32231
8		11601.21418.02	40		11609.45022.01	72		11601.45733.00
9		10514.22052.03/13	41		10548.45020.03/28	73		2145.16673
10		10514.22052.03/17	42		10562.45020.01/37	74		2145.16652
11	✉	11633.22052.00/30	43		10562.45020.01/36	75		2105.00162
12		10514.22052.03/08	44		10548.45020.03/32	76		2120.15027
13		10514.22052.03/09	45		10562.45020.01/12	77		2100.81408
14	↘	11650.22052.01	46		10564.45020.00/18	78		1356.75031
	↕	11650.22053.01	47		10548.45020.03/07	79		11608.45738.00
15	✉	10514.22052.03/16	48		10548.45020.03/10	80		2300.53210
16		11650.26215.00	49		11601.45056.02	81		10500.45300.00/01
17	✉	11633.26003.00/30	50		11601.45544.00	82		3671.69830
18		11600.26052.00/17	51	↕	11610.45054.02			
19		11600.26052.00/13		↘	11609.45054.01			
20	↕	11633.26003.00	52		11601.45535.00			
	↘	11633.26004.00	53		11610.45053.01			
21		2125.20055	54		11601.45055.02			
22		2145.17354	55		10541.12898.00			
23		10548.26003.01/05	56		11608.45058.01			
24		11600.26003.01/31	57		11601.45060.01			
25		10514.26004.02/09	58		11601.45059.02			
26		10541.22053.00/19	59		11601.45545.00			
27		11600.26003.01/08	60		11608.45078.01			
28		10564.45020.00/30	61		11608.12092.01			
29		11650.45049.00	62	↻	11608.12092.01			
30		10564.45050.00/08		↻	11609.12091.00			

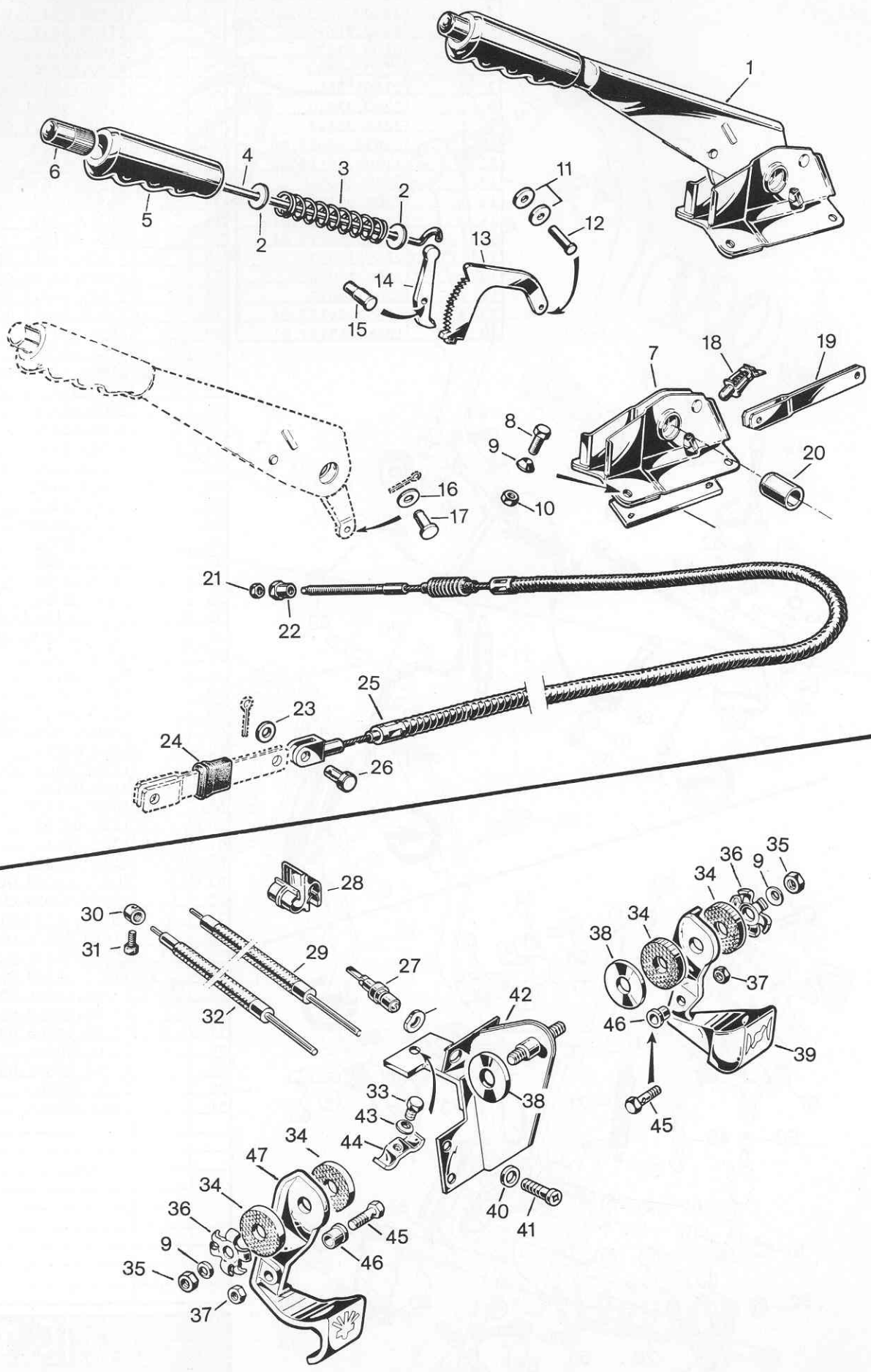


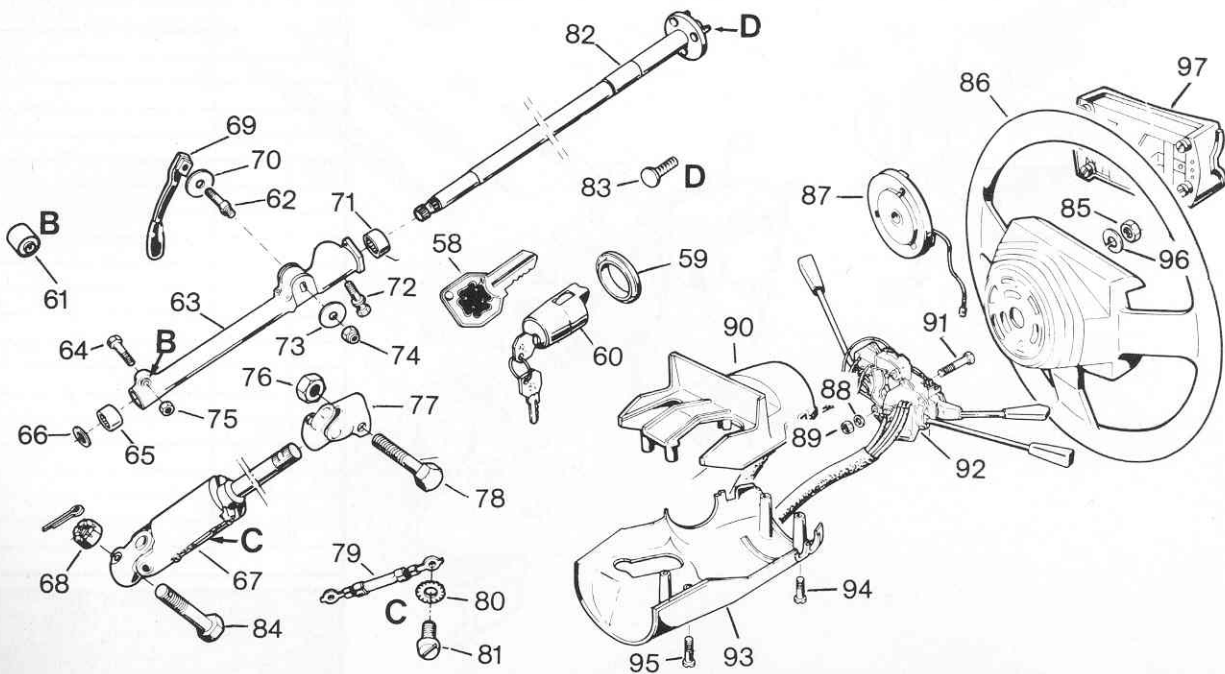
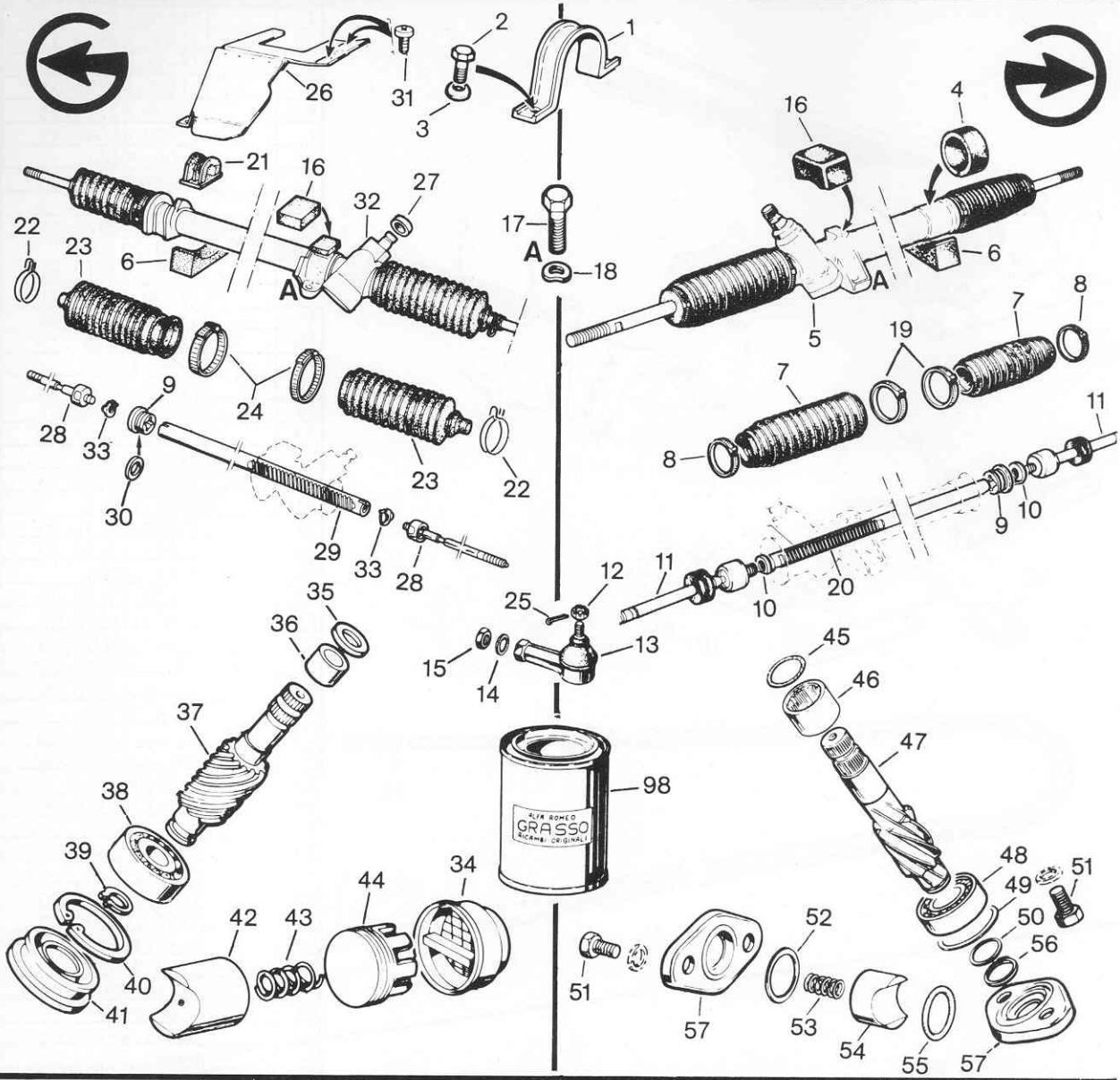











1		11650.44021.00
2		10564.44150.00
3		11600.44036.03
4		2140.16675
5		2100.81434
6		2120.15104
7		2140.16664
8		2260.32610
9		2260.32612
10		11650.44015.00
11		11600.44119.01
12		2120.20054
13		2100.04184
14		11600.44218.01
15		11600.44219.01
16		2140.17353
17		2120.15046
18		2200.24815
19		11650.44127.01
20		10564.65177.01

21		10564.44105.00
22		10564.44219.01
23		11600.44107.00
24		11609.44125.00
25		2100.05101
26		2160.10850
27		11603.44142.00
28		11609.44021.02
29		11609.44127.00
30		2145.16654
31		2140.16654
32		11609.44036.00
33		2100.06007
34		2125.15104
35		2100.04186
36		11609.44015.00
37		11609.44710.00
38		11609.44022.02
39		11609.44033.00
40		2125.20054
41		2105.00163
42		11609.44035.01
43		11609.44224.00
44		2100.81408
45		2125.15027
46		11609.44330.00
47		11609.44229.00
48		11608.04016.02
49		2300.12311
50		2120.15026
51		2300.00531
52		2200.24809
53		2145.16721
54		2300.12341
55		11608.04012.03
56		11608.04006.02
57		2305.12351
58		2105.00163
59		10500.44545.00
60		10500.44546.03
61		11600.13593.00
62		2300.00541
63		11603.44051.01
64		2105.00164
65		10502.44520.00
66		1356.66122
67		1315.52411
68		2120.70054
69		10502.44568.00
70		11650.44050.00
71		10200.44503.01
72		11650.44071.00
73		11600.44575.02
74		11603.44586.00
75		11603.44051.03
76		11603.44050.01
77		10500.44546.03
78		2120.70054
79		10502.44071.00
80		2120.15046
81		2105.00164

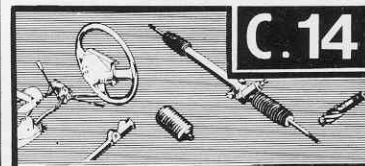


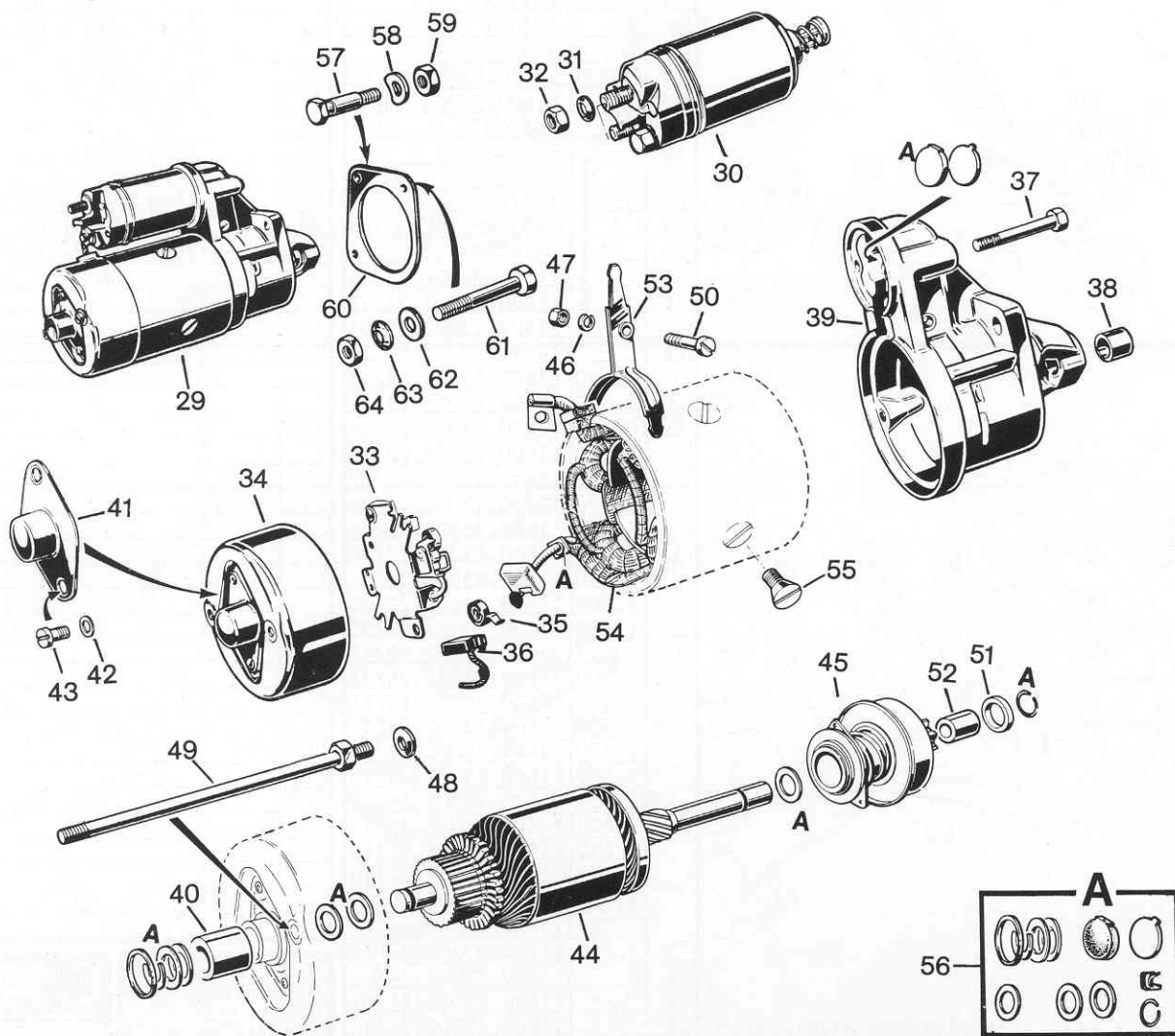
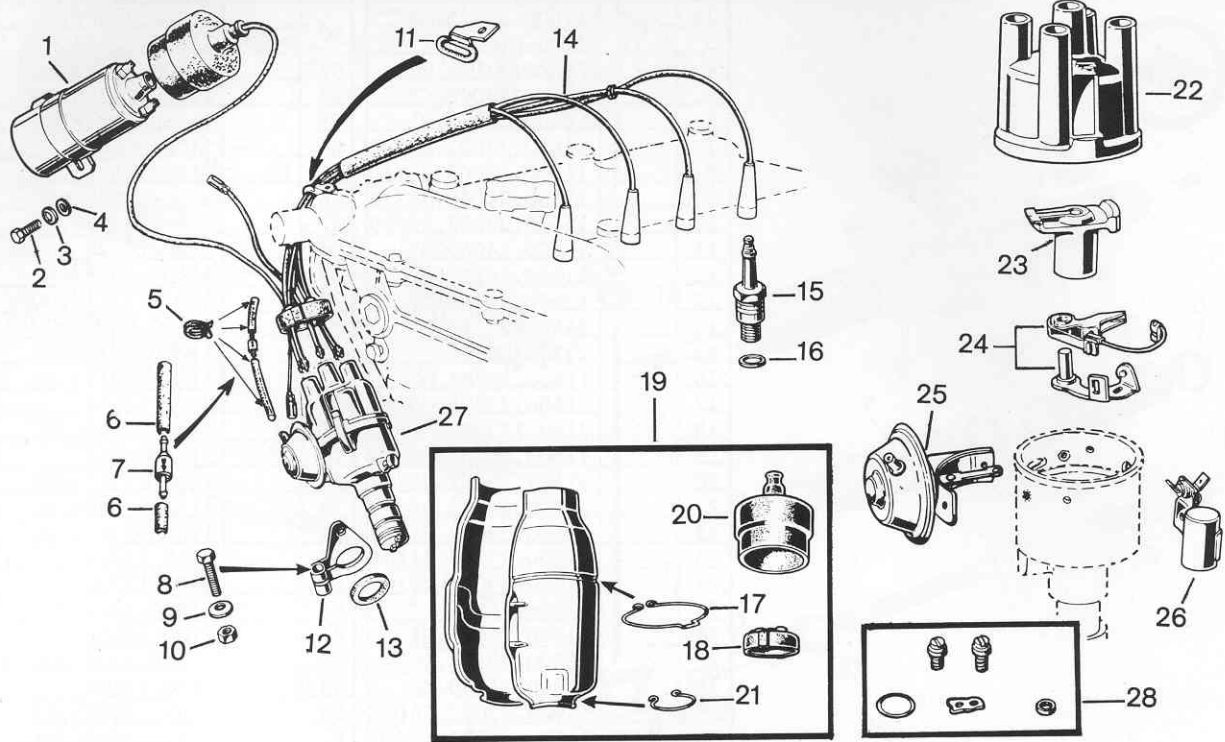


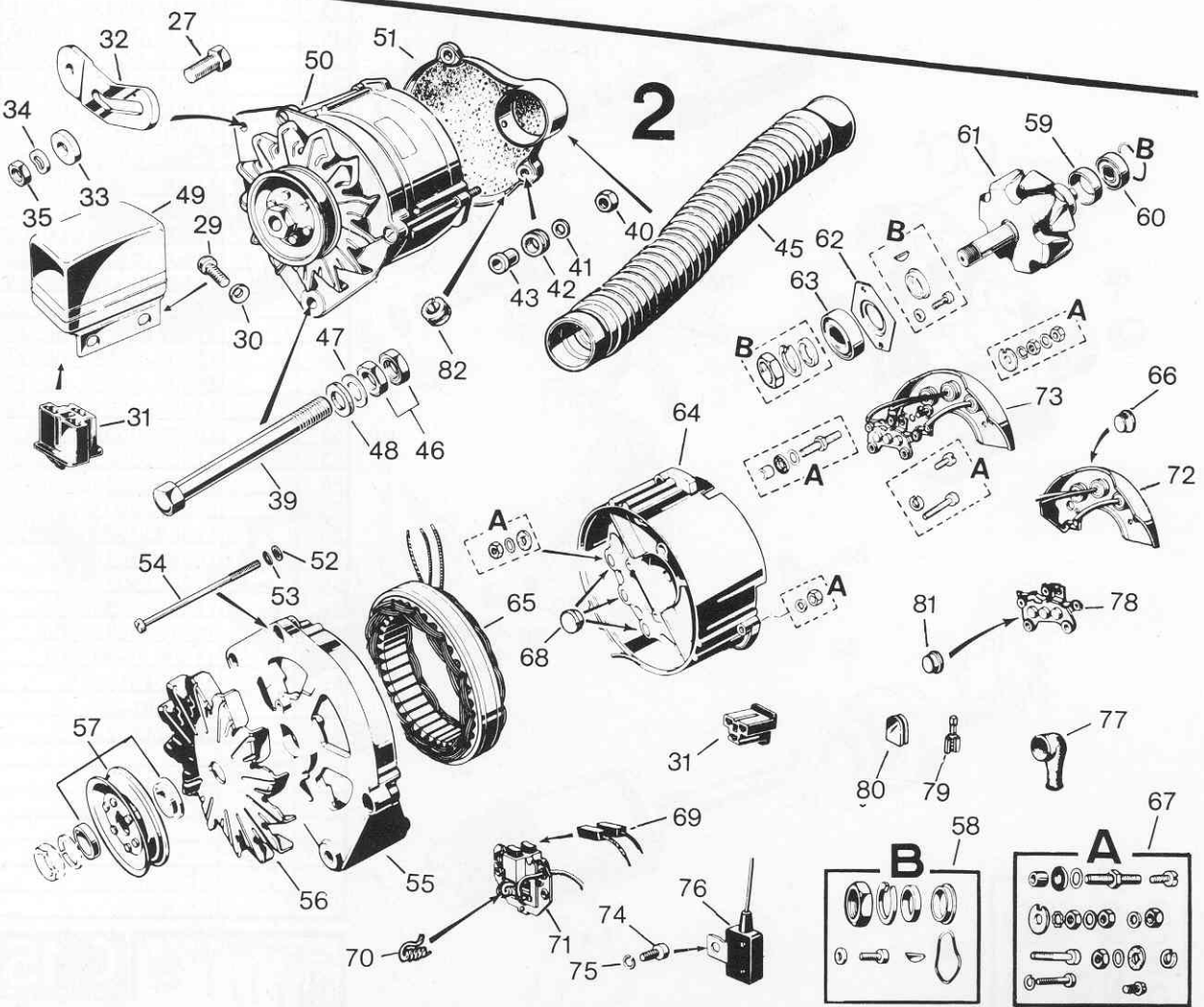
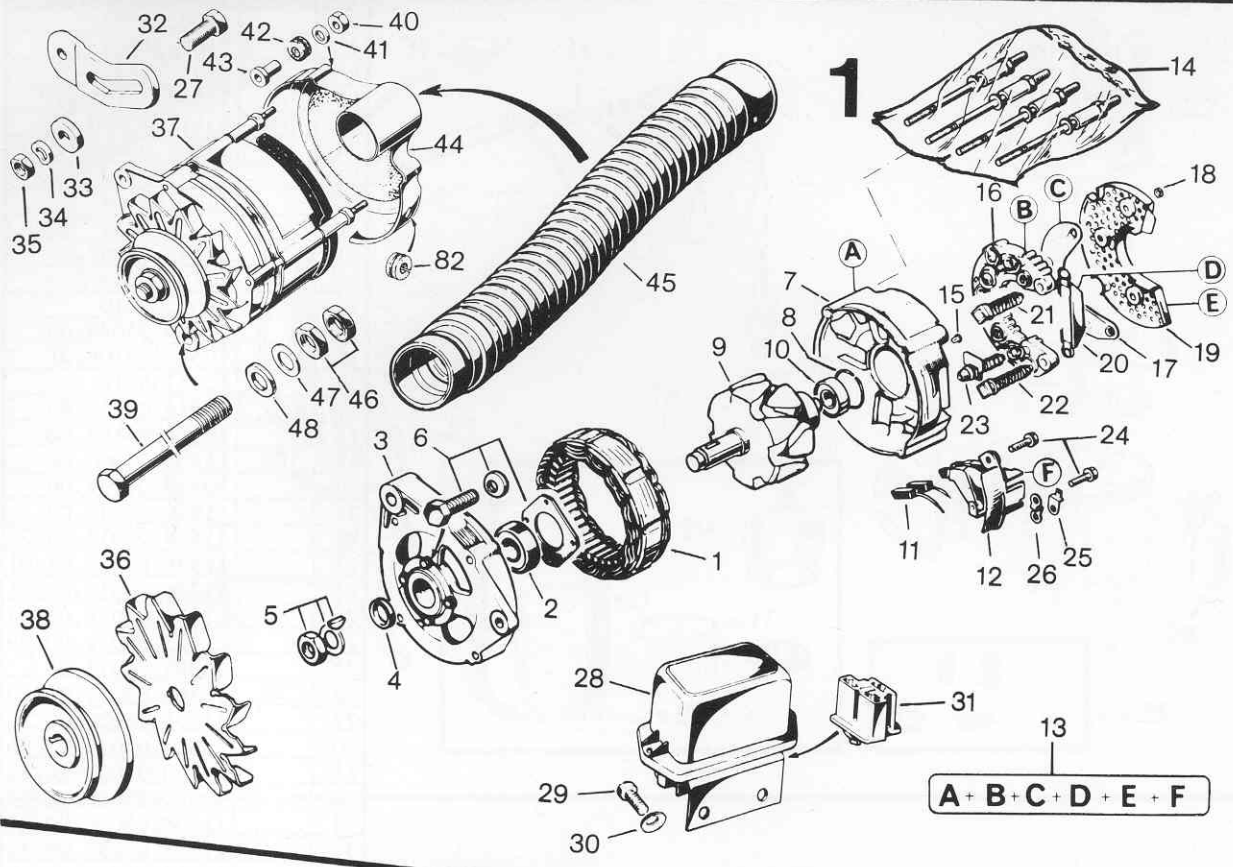


					
1		11600.23142.02	59		11650.23196.02
2		11600.23325.00			11600.23171.05
3		2100.81434	60		11614.23171.01
4		11600.23144.06	61		11600.23762.01
5		11602.23002.02	62		11600.23230.06
6		11600.23118.01	63		11650.23011.03
7		11600.23002.22/08	64		2100.00247
8		11600.23002.24/10	65		11608.23088.02
9		11600.23002.35/11	66		11600.23223.00
10		11600.23002.22/09	67		11600.23022.07
11		11600.24040.02	68		2120.20226
12		11600.24121.00	69		11650.23092.01
13		11600.24041.01	70		11610.23117.00
14		2140.17279	71		11650.23088.00
15		2120.20072	72		11600.23172.00
16		11600.23783.00	73		11610.23117.00
17		11600.23325.00	74		2120.92831
18		2140.17353	75		2120.92408
19		11600.23002.24/10	76		2120.20054
20		11602.23002.02/07	77		11600.23024.00
21		11600.23144.06	78		11608.23806.00
22		11600.23002.35/13	79		11600.23074.02
23		11600.23002.34/08	80		2145.17251
24		11600.23002.34/09	81		2105.13238
25		2165.17582	82		11650.23065.01
26		11600.23097.01	83		2100.34056
27		11600.23308.00	84		11608.23807.00
28		11600.24040.04	85		2120.15104
29		11600.23002.34/07	86		11650.23051.05
30		11600.23002.35/40	87		11650.23084.01
31		2100.16863	88		2100.81405
32		11600.23002.40	89		2120.15026
33		11600.23002.34/39	90		11650.23101.01
34		102978			11651.23101.00
35		102331	92	★	11650.23070.03
36		102440			11650.23070.06
37		11600.23002.34/01	91		2100.13274
38		11600.23002.34/05	92		11650.23070.03
39		102923	93		11650.23102.01
40		2200.24878	94		2100.04119
41		101500	95		2100.04111
42		101726	96		2100.81435
43		11600.23002.34/04	97		11650.23057.01
44		102977	98		3671.69828.01
45		11600.23002.22/14			
46		11600.23002.22/15			
47		11602.23002.02/01			
48		101497			
		0,050 11600.23002.22/23			
		0,100 11600.23002.22/24			
49		0,125 11600.23002.22/25			
		0,150 11600.23002.22/26			
		0,500 11600.23002.22/27			
		0,050 11600.23002.22/28			
		0,100 11600.23002.22/29			
50		0,125 11600.23002.22/30			
		0,150 11600.23002.22/31			
		0,300 11600.23002.22/32			
		1,000 11600.23002.22/33			
51		11600.23002.22/16			
		1,300 11600.23002.24/35			
		1,350 11600.23002.24/36			
		1,400 11600.23002.24/37			
		1,450 11600.23002.24/38			
		1,500 11600.23002.24/15			
52		1,550 11600.23002.24/16			
		1,600 11600.23002.24/17			
		1,650 11600.23002.24/18			
		1,700 11600.23002.24/19			
		1,750 11600.23002.24/20			
		1,800 11600.23002.24/21			
		1,850 11600.23002.24/22			
53		11600.23002.24/04			
54		11600.23002.24/03			
55		11600.23002.24/34			
56		11600.23002.22/17			
57		11600.23002.22/06			
58		10535.23171.00/01			







★ { Con intermittente elettronico
Avec clignotante electronique
With electronic flasher unit
Mit elektronisch Blinkgeber

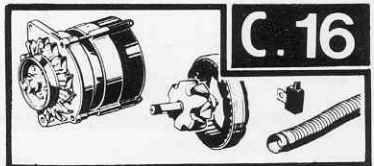






1 = PARIS - RHONE
2 = BOSCH

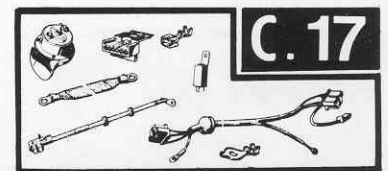
					
1		11610.05061.01/01	79		11610.05061.03/17
2		11610.05061.01/06	80		11610.05061.03/28
3		11610.05061.01/02	81	⚡	11610.05061.03/05
4		11610.05061.01/08	82		10548.52380.00
5	☒	11610.05061.01/09			
6	☒	11610.05061.01/07			
7		11610.05061.01/11			
8		11610.05061.01/04			
9		11610.05061.01/03			
10		11610.05061.01/05			
11		11610.05061.01/26			
12		11610.05061.01/25			
13	☒	11610.05061.01/10			
14		11610.05061.01/12			
15		11610.05061.01/13			
16		11610.05061.01/19			
17		11610.05061.01/15			
18		11610.05061.01/17			
19		11610.05061.01/16			
20		11610.05061.01/18			
21		11610.05061.01/14			
22		11610.05061.01/20			
23		11610.05061.01/21			
24		11610.05061.01/22			
25		11610.05061.01/23			
26		11610.05061.01/24			
27		2105.20186			
28		11610.65028.01			
29		2100.16350			
30		2100.81405			
31		10536.65170.00			
32		11610.05503.00			
33		1315.35063			
34		2125.20068			
35		2145.17353			
36		11610.05521.00			
37		11610.05060.01			
38		11610.05059.00			
39		10514.05500.00			
40		2125.15026			
41		2145.16672			
42		11610.05170.00			
43		11610.05171.01			
44		11610.05068.03			
45		11610.05167.00			
46		2125.20071			
47		2145.16722			
48		10600.05604.00			
49		10536.65028.00			
50		11610.05060.03			
51		11610.05068.04			
52		11610.05061.03/25			
53		11610.05061.03/24			
54		11610.05061.03/15			
55		11610.05061.03/11			
56		11610.05521.03			
57	☒	11610.05059.02			
58	☒	11610.05061.03/13			
59		11610.05061.03/29			
60		10600.05061.00/06			
61		11610.05061.03/10			
62		11610.05061.03/09			
63		10600.05061.00/02			
64		11610.05061.03/31			
65		11610.05061.03/01			
66	⊕	11610.05061.03/04			
67	☒	11610.05061.03/16			
68	⊖	11610.05061.03/08			
69		11610.05061.03/23			
70		11600.05061.00/07			
71		11610.05061.03/14			
72	⊕	11610.05061.03/20			
73	⊕⚡⊖	11610.05061.03/19			
74		11610.05061.03/26			
75		11610.05061.03/27			
76		11610.05061.03/13			
77		10500.05050.01/03			
78		11610.05061.03/21			

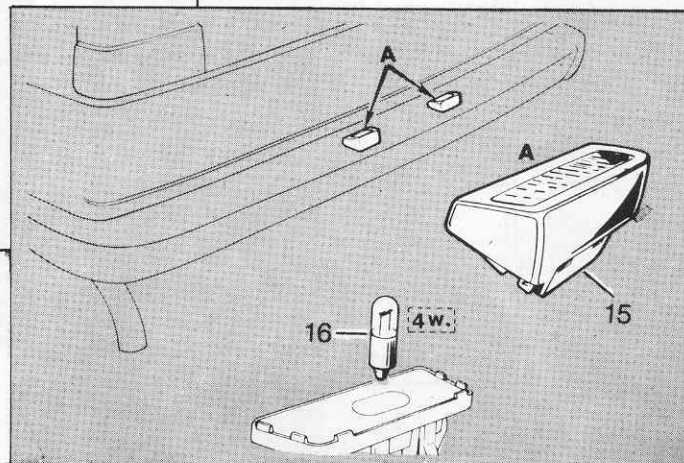
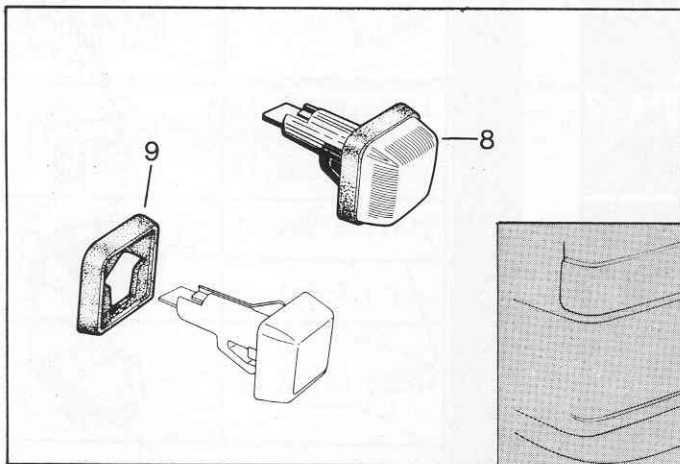
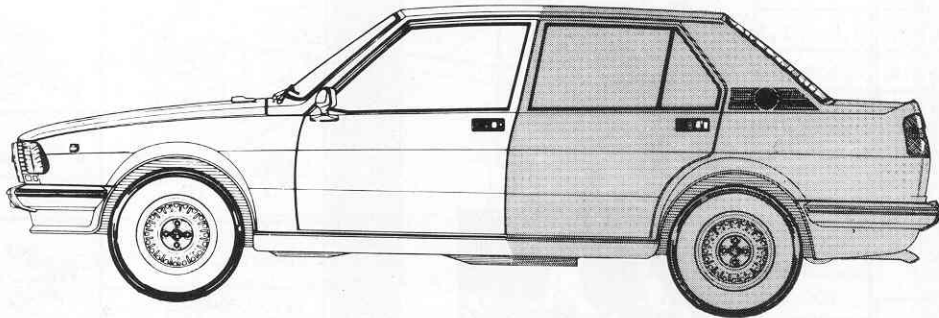
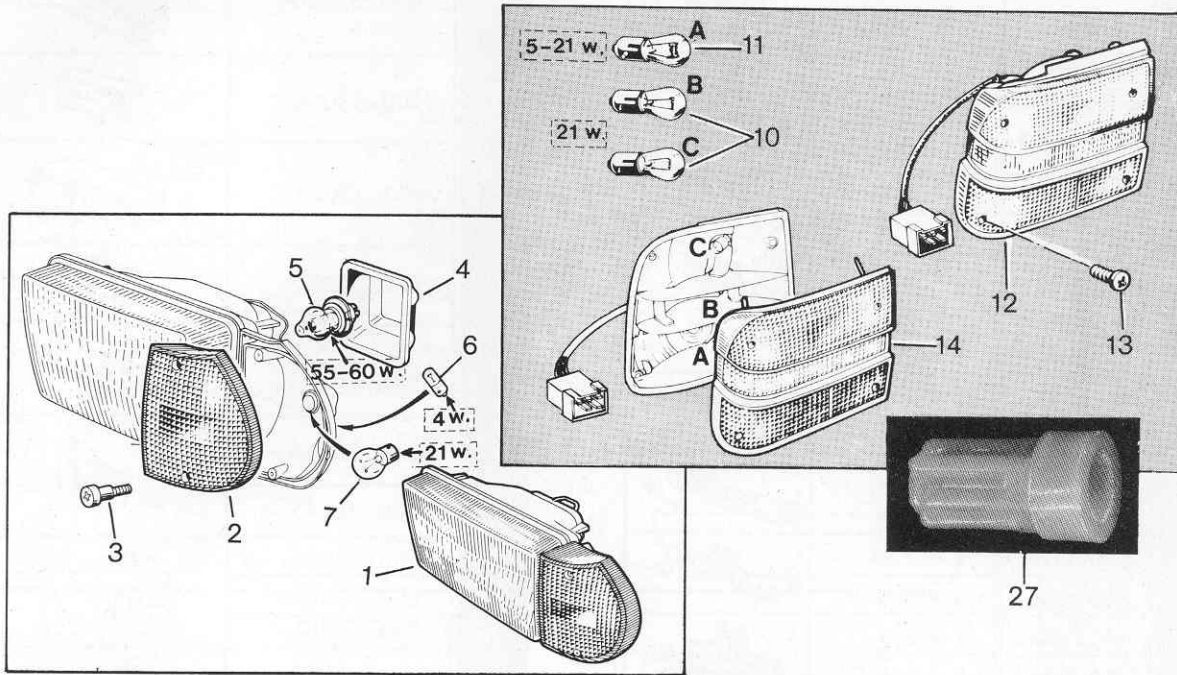


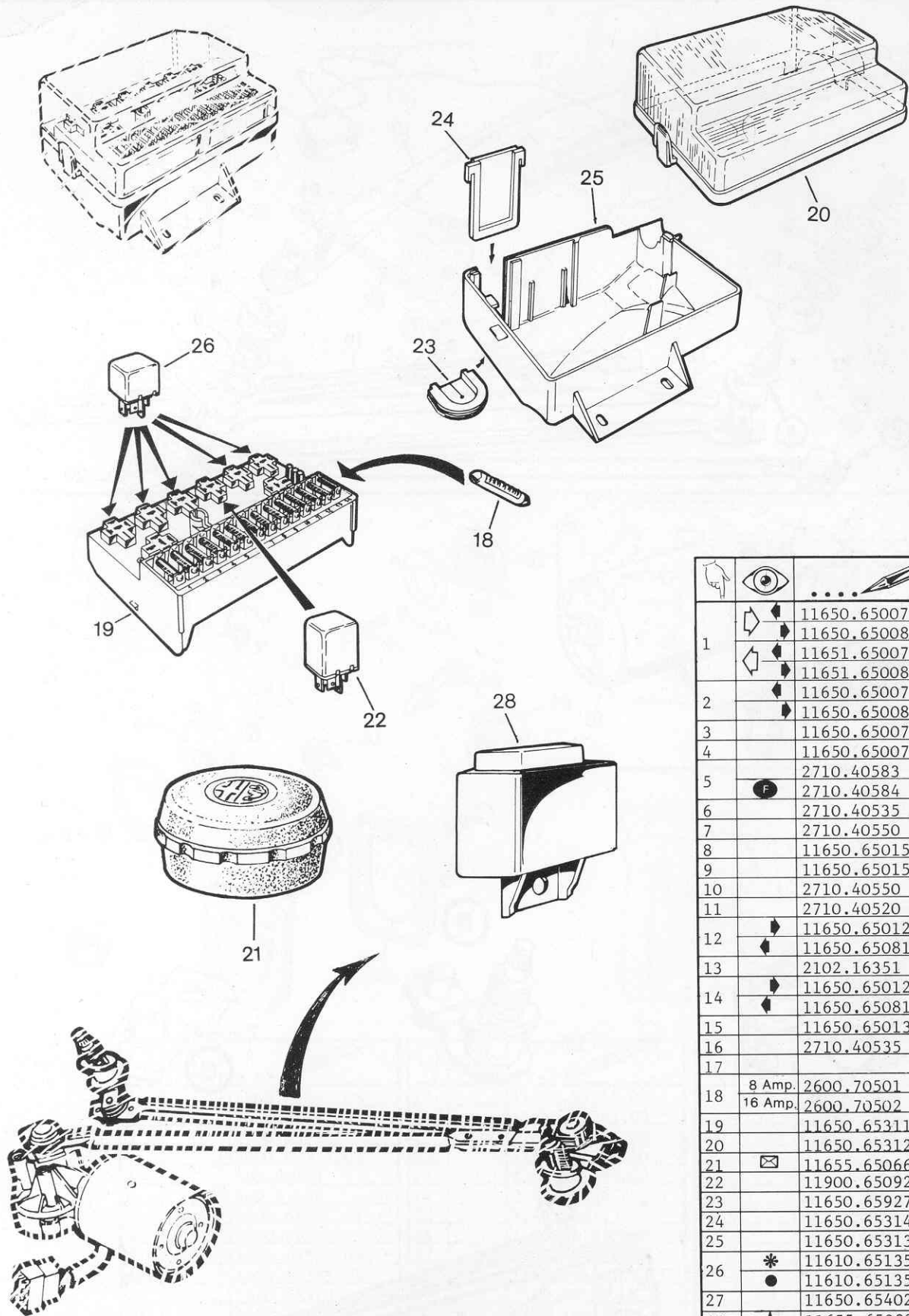
A	2600.33210				
B	2606.36585				
C	2600.36600	1 ÷ 2,5			
D	2600.36601	4 ÷ 6			
E	2600.36603	0,3 ÷ 0,8			
F	2600.36604	0,5 ÷ 1,5			
G	2600.36606				
H	2600.36636				
I	2600.33003	1 ÷ 2,5			
L	2600.33006	0,3 ÷ 0,8			
M	2600.33001	1 ÷ 2,5			
N	2600.33007	0,3 ÷ 0,8			
O	2600.36640	1 ÷ 2,5			
P	2600.36642	0,5 ÷ 1,5			
Q	2600.36551	0,8 ÷ 1,6			d=4
S	2600.36553	1 ÷ 2,5			d=6
T	2600.36555	0,8 ÷ 1,6			d=5
U	2600.36556	2,5 ÷ 6			d=6
V	2600.36557	4 ÷ 6	d=10		
W	2600.36558	4 ÷ 6	d=8		

	11900.53508.01	
	11608.53511.01	
	11650.53511.00	
	11650.51468.00	
	11608.53508.00	
	11600.61385.01	
	11608.61385.00	
	11610.53596.00	

A	2600.32400	
B	2600.33025	
C	2600.33024	
D	2600.33027	
E	2600.33075	
F	2600.36646	
G	2600.36645	
L	2600.33069	
M	2600.33068	
N	2600.33061	
O	2600.33086	
P	11650.66850.00	
R	2600.33141	
S	2600.33221	
T	2600.33220	
U	2600.33087	
V	11913.65305.11	
Z	11913.65305.12	
X	11913.65304.01	
W	11913.65304.03	
Y	10536.65170.00	
K	2600.31812	



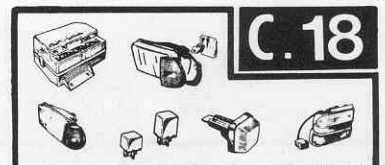


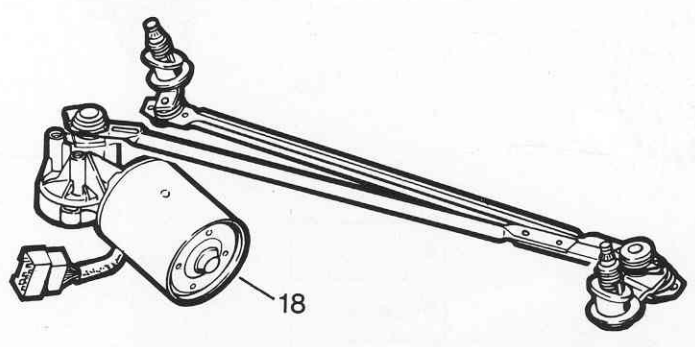
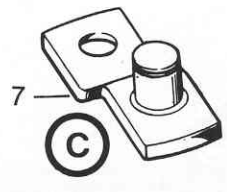
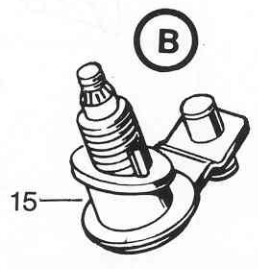
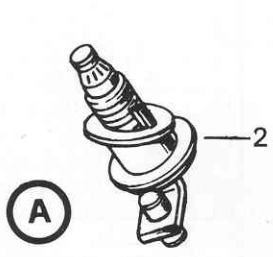
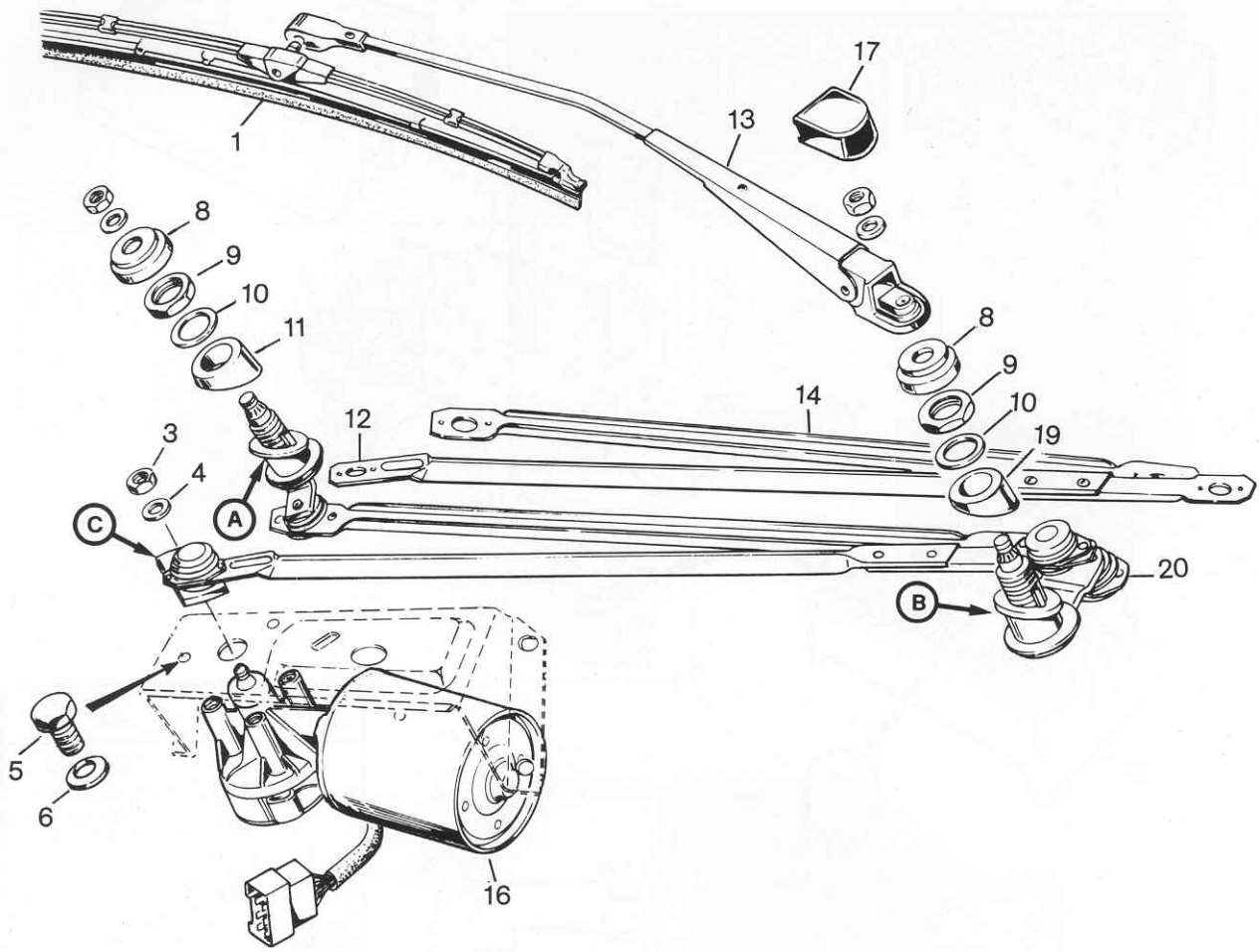


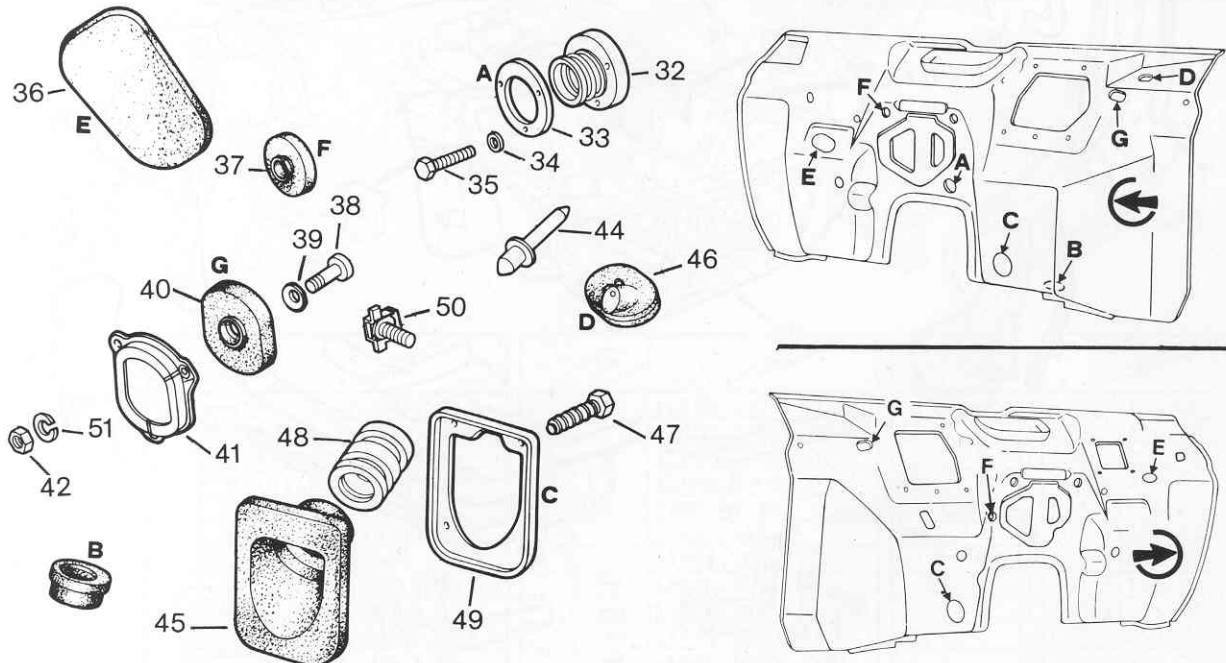
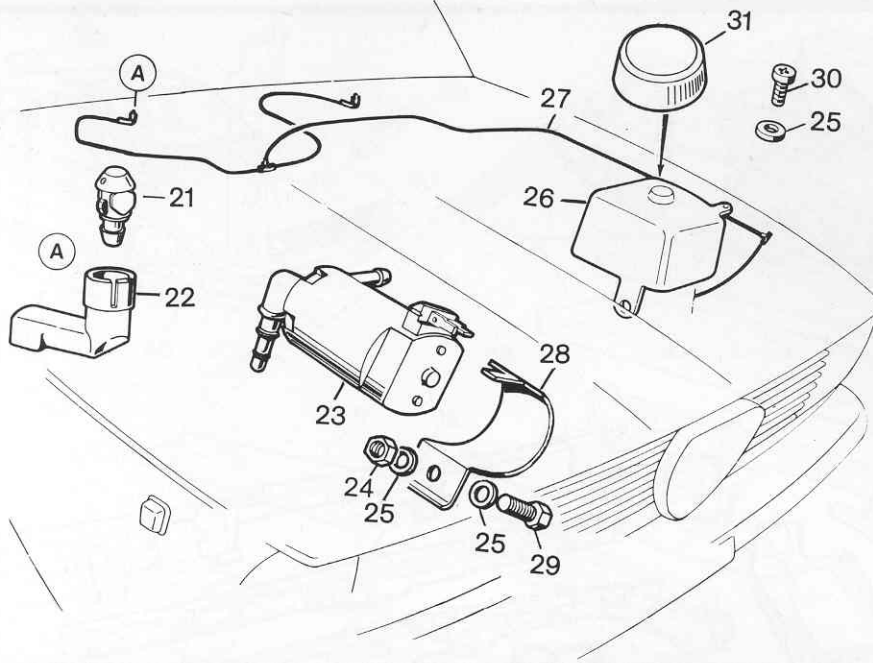
1		11650.65007.01
		11650.65008.01
		11651.65007.00
		11651.65008.00
2		11650.65007.01/03
		11650.65008.01/03
3		11650.65007.01/02
4		11650.65007.01/13
5		2710.40583
		2710.40584
6		2710.40535
7		2710.40550
8		11650.65015.00
9		11650.65015.00/10
10		2710.40550
11		2710.40520
12		11650.65012.02
		11650.65081.02
13		2102.16351
14		11650.65012.02/01
		11650.65081.02/01
15		11650.65013.01
16		2710.40535
17		
18	8 Amp.	2600.70501
	16 Amp.	2600.70502
19		11650.65311.01
20		11650.65312.00
21		11655.65066.00
22		11900.65092.02
23		11650.65927.01
24		11650.65314.00
25		11650.65313.00
26	*	11610.65135.02
	●	11610.65135.07
27		11650.65402.01
28	★	11655.65092.00

*	SIPEA
●	BOSCH

★ {
 Electronico
 Electronique
 Electronic
 Elektronisch

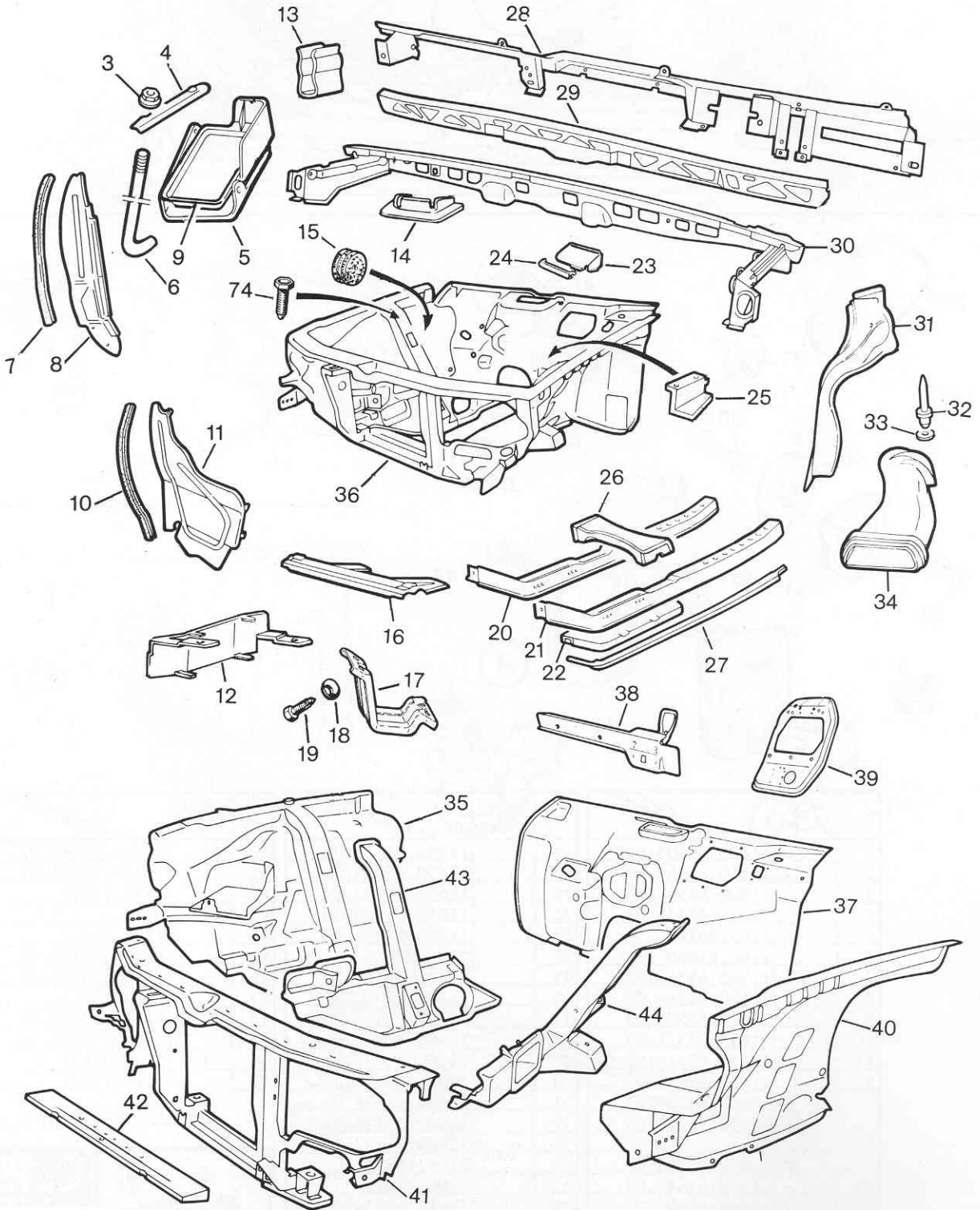
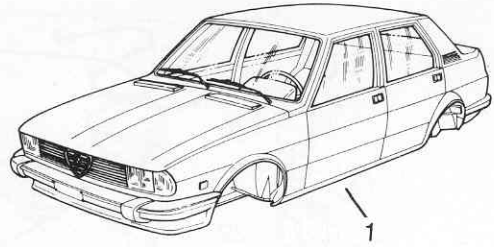
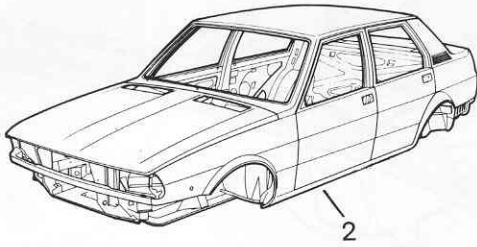


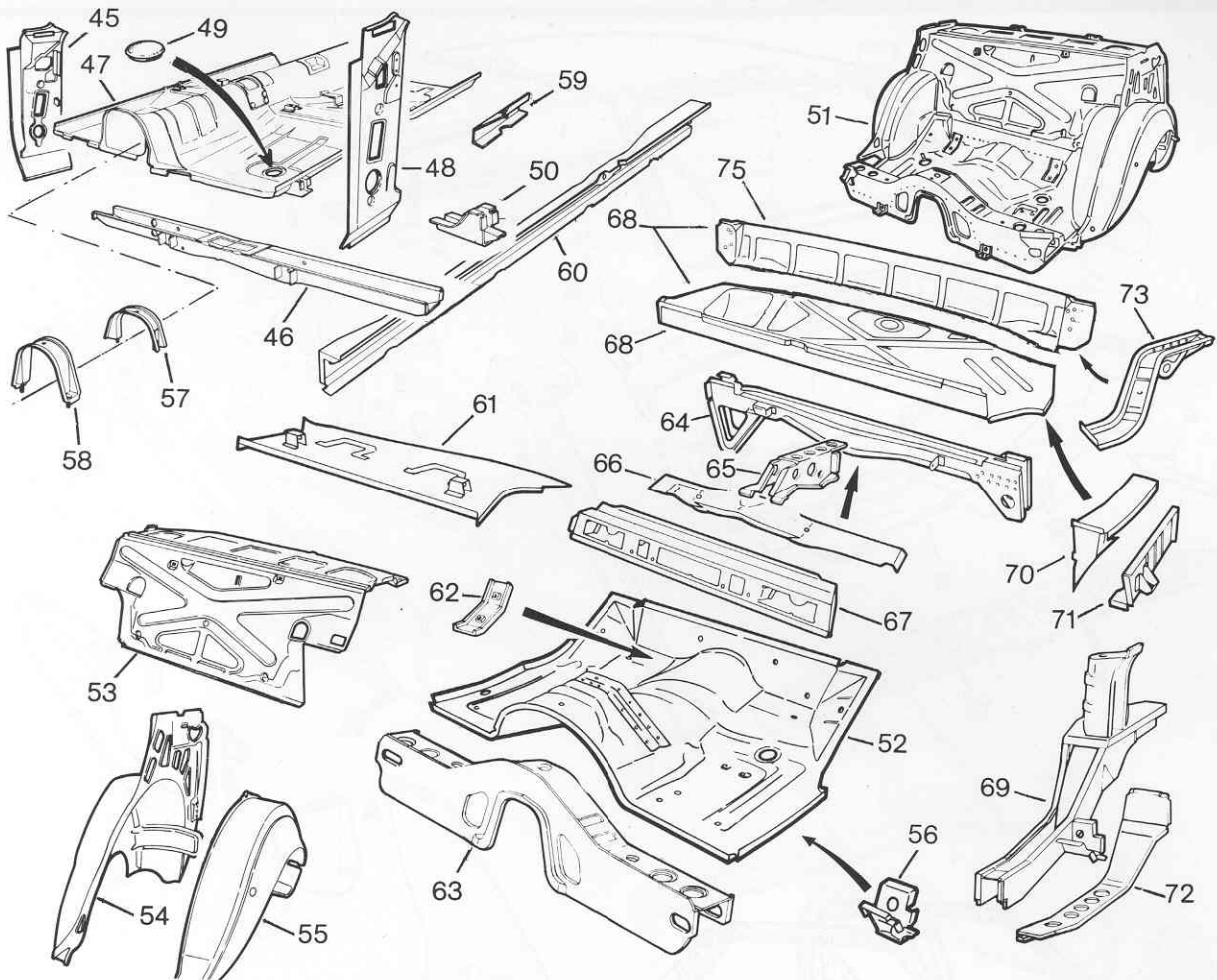




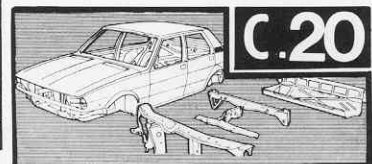
Hand	Eye	...	Pencil	Part No.
				1 11608.65503.06
				2 11650.65569.03
				3 11600.65536.03
				4 11600.65535.03
				5 2105.00163
				6 2100.81408
				7 11900.65545.03
				8 11600.65544.03
				9 11900.65522.03
				10 11655.65521.03
				11 11650.65514.03
				12 11650.65518.03
	↶	●		13 11650.65504.04
		*		11650.65504.06
	↷	*		11651.65504.06
				14 11650.65517.03
				15 11650.65570.03
				16 11655.65052.03
				17 11610.65544.06
				18 11650.65061.03
				19 11650.65513.03
				20 11650.65065.03
				21 11650.61602.00
				22 11650.61189.00
				23 11608.61096.00
				24 2100.92604
				25 2140.16671
				26 11650.61060.00
				27 32352.00550.62
				28 11650.61601.00
				29 2100.00103
				30 2100.16864
				31 10564.61301.00
				32 11600.50225.01
				33 11600.50132.01
				34 2145.16672
				35 2100.15916
				36 11642.50624.00
				37 10500.57218.02
				38 2100.34631
				39 2100.81405
				40 11650.50260.00
				41 11600.50056.01
				42 2125.15026
				43
				44 2200.70161
				45 11600.50158.02
				46 10500.50325.03
				47 2100.15916
				48 11610.50918.00
				49 11600.50228.02
	↷			50 2100.34631
				51 2145.17021

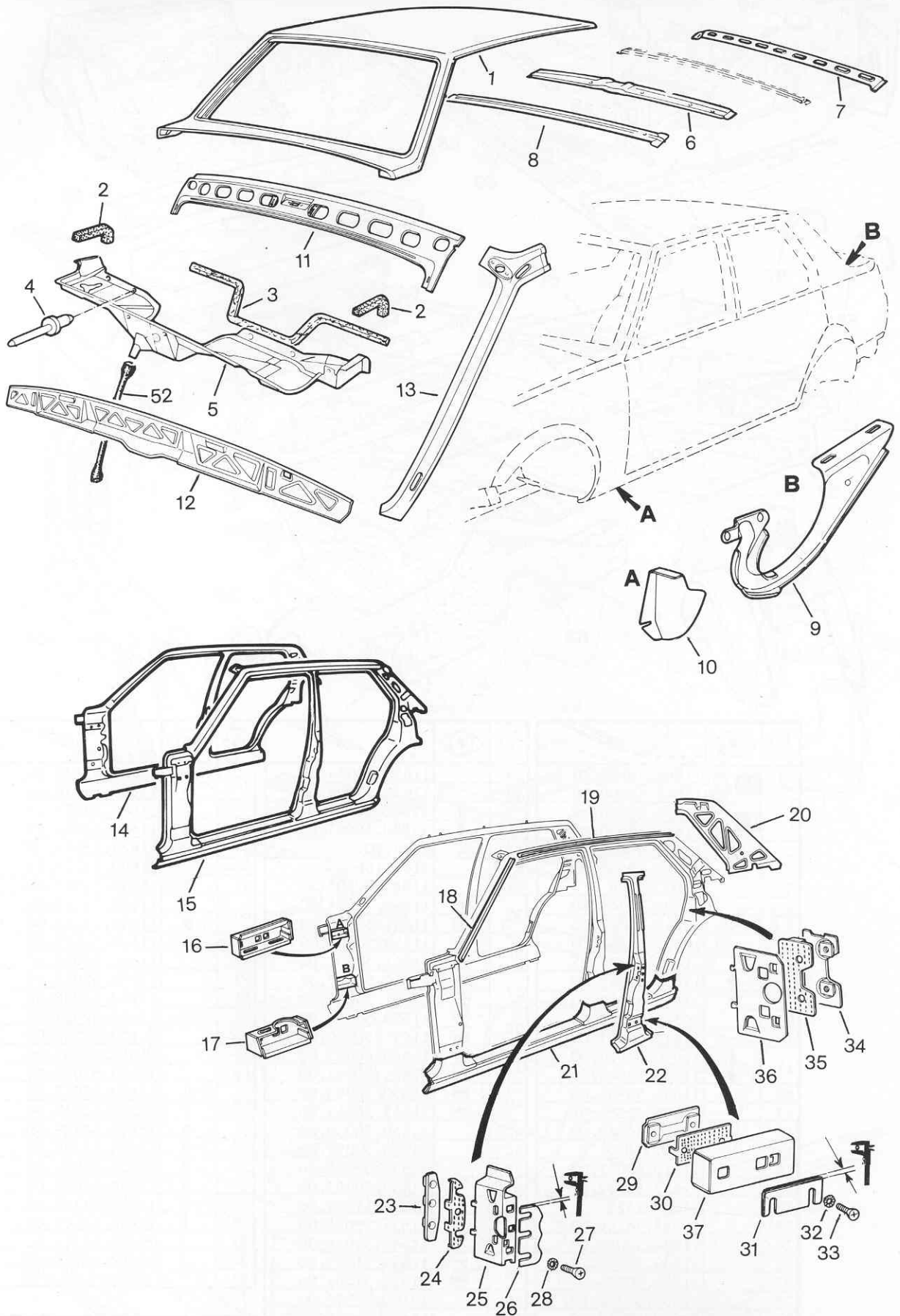
● BOSCH * CARELLO

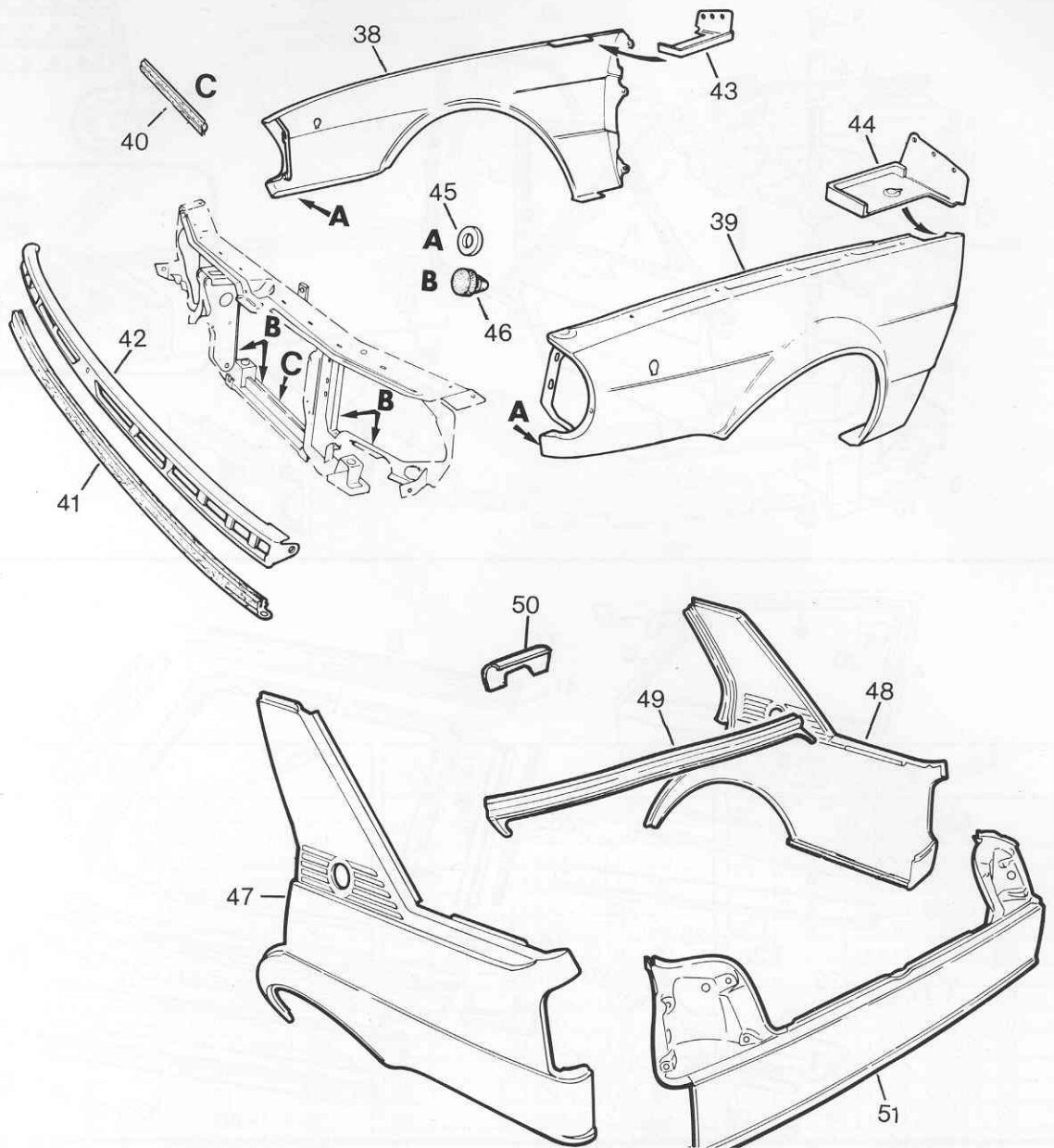




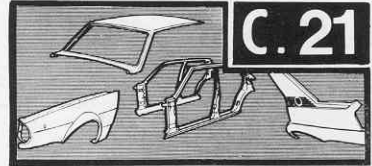
		
1		13	↻	11644.49000.00	29			11650.53054.00	55	↕	11650.52135.00
			↻	11645.49000.00	30			11650.53009.00		↕	11650.52136.00
		16	↻	11650.49000.00	31	↕		11600.50066.01	56	↕	11600.52025.01
			↻	11651.49000.00		↕		11600.50067.01		↕	11600.52026.01
2			↻	11650.49200.00	32			2200.70132	57		11623.51014.00
			↻	11651.49200.00	33			2140.16651	58		11600.51016.01
3				2100.92606	34			11655.50403.10	59		11650.51097.00
4				10502.50249.00	35	↻		11650.50044.00	60	↕	11650.51149.00
5				11655.50068.00		↻		11651.50044.00		↕	11650.51148.00
6				10512.50248.00	36	↻		11650.50001.00	61		11650.52073.00
7				11642.50277.05		↻		11651.50001.00	62		11600.52068.01
8		↕		11650.53042.00	37	↻		11650.50037.00	63		11600.52043.01
		↕		11650.53043.00		↻		11651.50037.00	64		11650.52058.00
9				10541.50289.00	38	↻		11650.50010.00	65		11600.52027.01
10				11642.50277.05		↻		11651.50010.00	66		11650.52268.00
11		↕		11650.53040.00	39	↻		11650.50042.00	67		11642.52002.00
		↕		11650.53041.00		↻		11651.50042.00	68		11650.52046.00
12				11655.50951.00	40	↻		11650.50043.00	69	↕	11650.52011.00
13				10500.52226.01		↻		11651.50043.00		↕	11650.52010.00
14				11650.50663.00	41			11650.50030.00	70	↕	11650.52239.00
15				2600.31815	42			11610.50050.01		↕	11650.52238.00
16				11610.50051.01	43			11650.50094.00	71	↕	11650.52091.00
17				11655.50602.00	44			11650.50093.00		↕	11650.52090.00
18				2100.81429	45			11650.51082.00	72	↕	11600.52185.02
19				10544.58346.00	46			11634.51054.00		↕	11600.52009.02
20				11634.50064.00	47			11642.51036.00	73		11650.52914.00
21				11600.50065.02	48	↻		11650.51081.00	74		11608.50200.00
22				11600.50295.01		↻		11651.51081.00	75		11650.52333.00
23				11650.50115.00	49			10100.62373.00			
24				11650.50116.00	50			11600.51056.01			
25				11651.53664.00	51			11650.52047.00			
26	↻			11600.50041.01	52			11600.52044.01			
	↻			11609.50041.00	53			11650.52182.00			
27				11600.51108.01	54	↕		11650.52049.00			
28	↻			11650.50946.00		↕		11650.52048.00			
	↻			11651.50946.00							

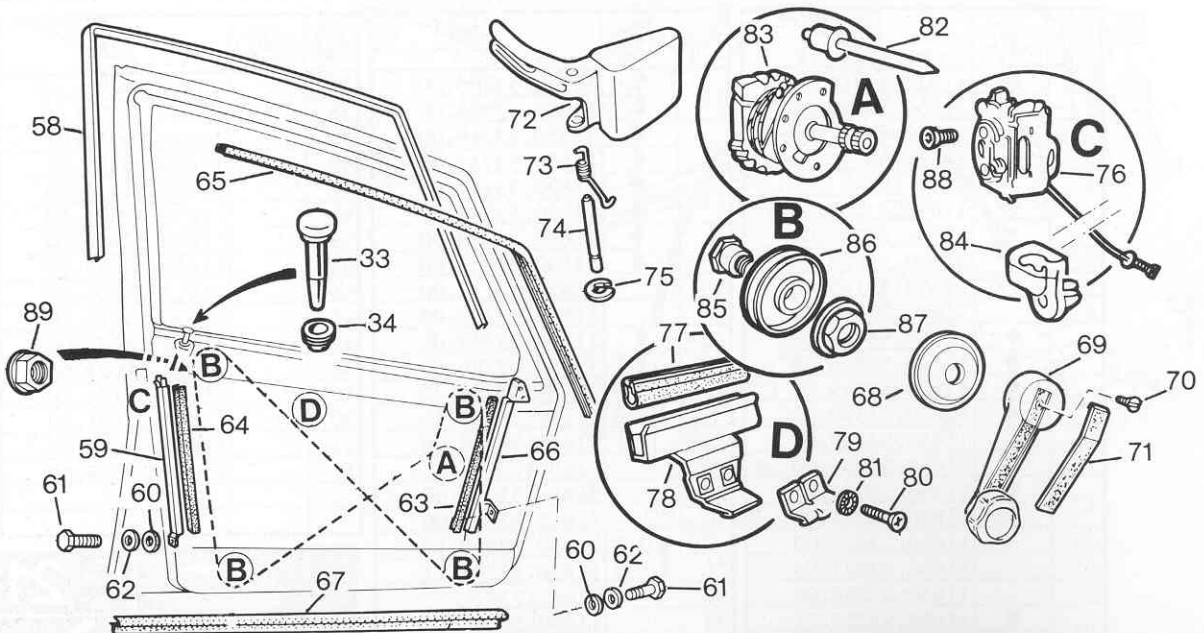
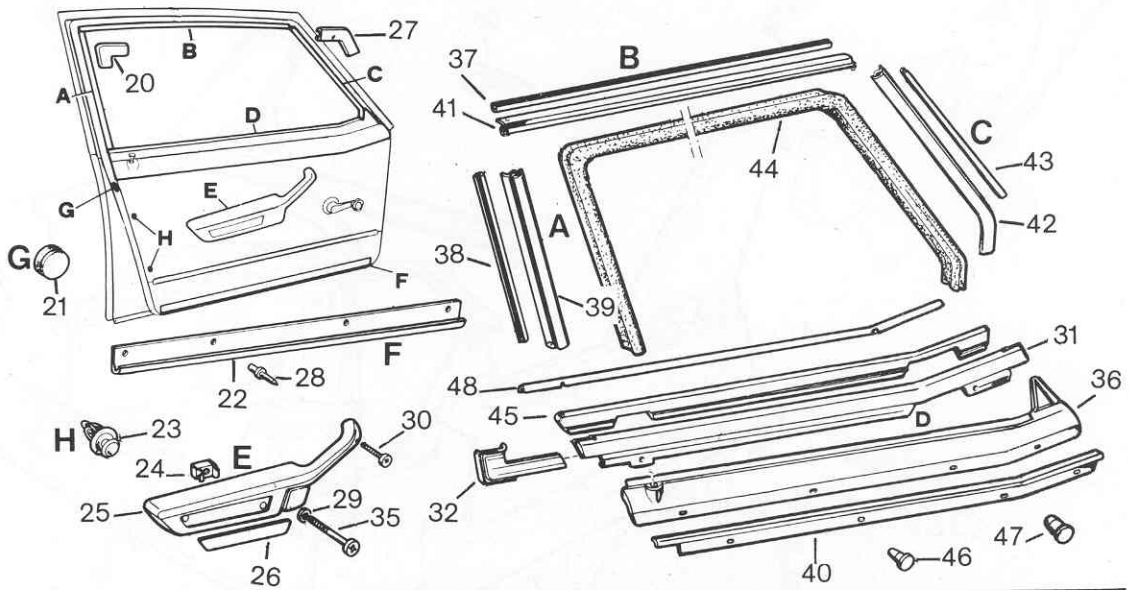
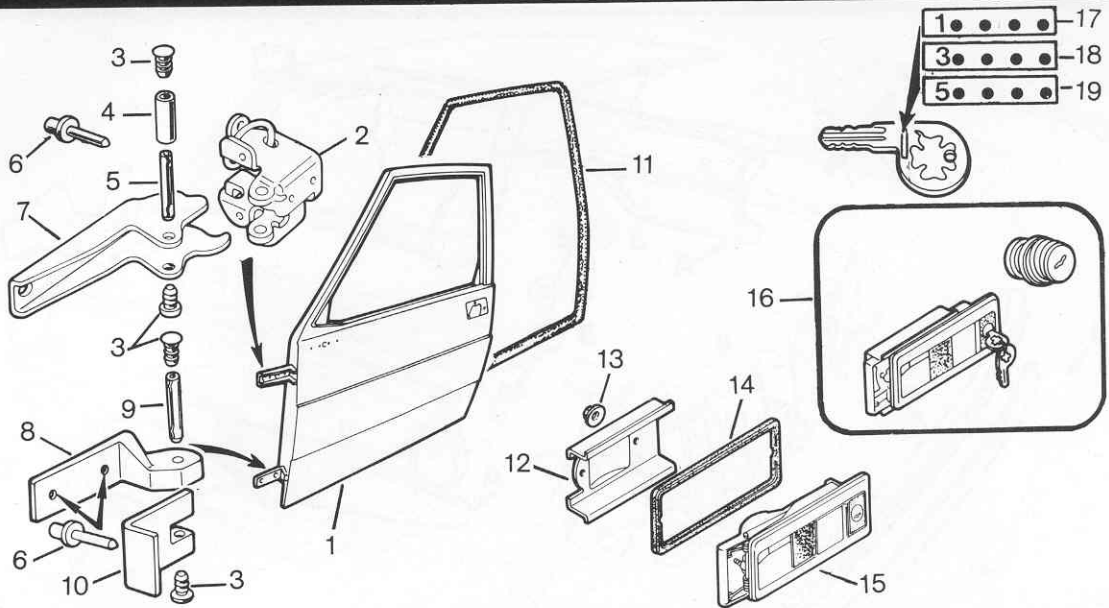


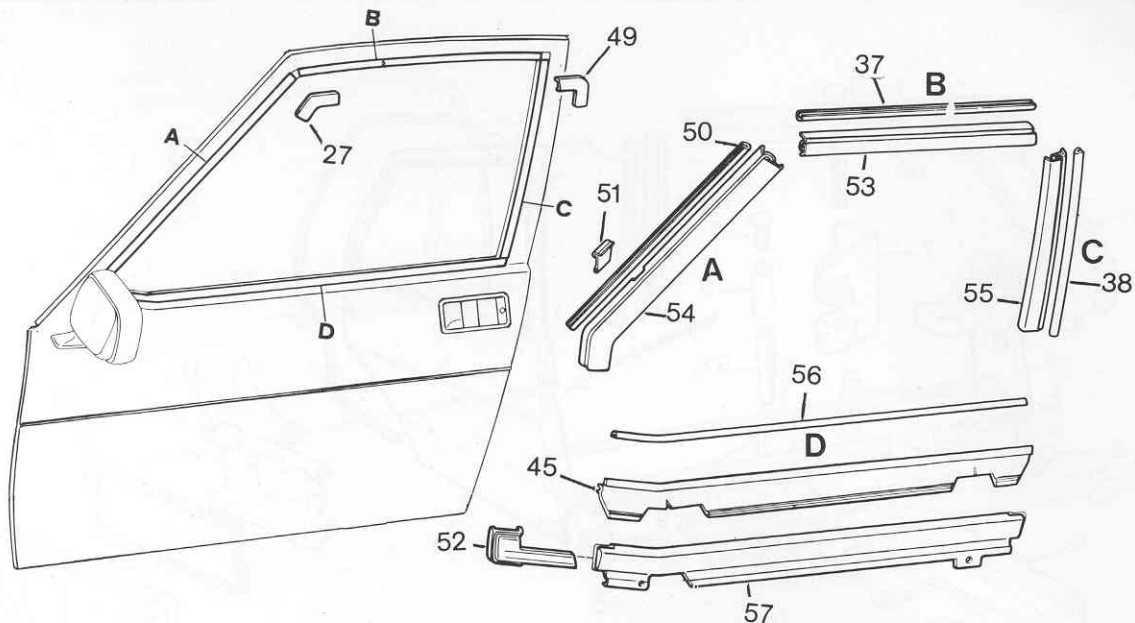




Hand	Eye	Pencil	Part No.	Price	Hand	Eye	Pencil	Part No.	Price	Hand	Eye	Pencil	Part No.	Price
	↺		11650.54010.00			↕		11650.53205.00			↗		11650.54058.00	
1	↻		11651.54010.00		19	↕		11650.53206.00		38			11650.54059.00	
2			11650.62771.00		20	↕		11650.53216.00		39			11650.54059.01	
3			11650.62770.00		21	↕		11650.53217.00		40			11650.56119.01	
4			2200.70042		22	↕		11650.53247.00		41			11655.54270.00	
5	↺		11650.53032.00		23	↕		11650.53248.00		42			11650.54041.00	
	↻		11651.53032.00		24	↕		11650.53028.00		43			11650.53648.00	
6			11650.53132.00		25	↕		11650.53029.00		44			11650.53647.00	
7			11650.53195.00		26	↕		11650.53117.00		45			11913.54460.00	
8			11650.53163.00		27	↕		11650.53352.00		46			11650.54212.00	
9	↕		11650.56177.00		28	↕		11650.53225.00		47			11650.54027.00	
	↕		11650.56176.00		29	↕		11650.53226.00		48			11650.54026.00	
10	↕		11650.53349.00		30			11650.53299.12		49			11650.54124.00	
	↕		11650.53350.00		31	↕	0,5	11650.53299.11		50			11650.53681.00	
11			11650.53140.00			↕	1,0	11650.53299.11		51			11650.54013.00	
12			11650.53054.00		27			11650.56342.00		52			11642.57079.00	
13	↕		11650.53025.00		28			2145.17305						
	↕		11650.53024.00		29			11650.53069.00						
14			11650.53030.00		30			11650.53354.00						
15			11650.53031.00		31	↕	0,5	11650.53298.12						
16			11650.53218.00			↕	1,0	11650.53298.11						
17	↕		11650.53219.01		32			2145.17305						
	↕		11650.53220.01		33			11650.56342.00						
	↕		11650.53207.00		34			11650.53071.00						
18	↕		11650.53208.00		35			11650.53300.00						
	↕				36			11650.53235.00						

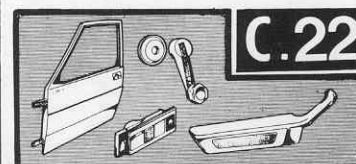


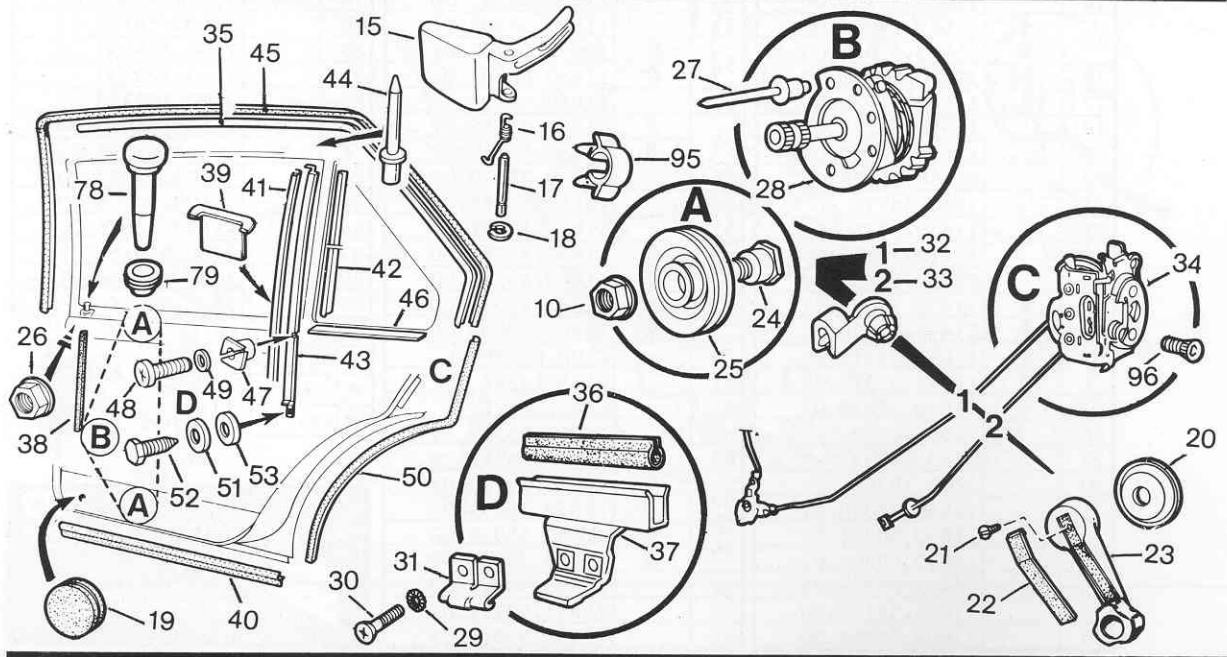
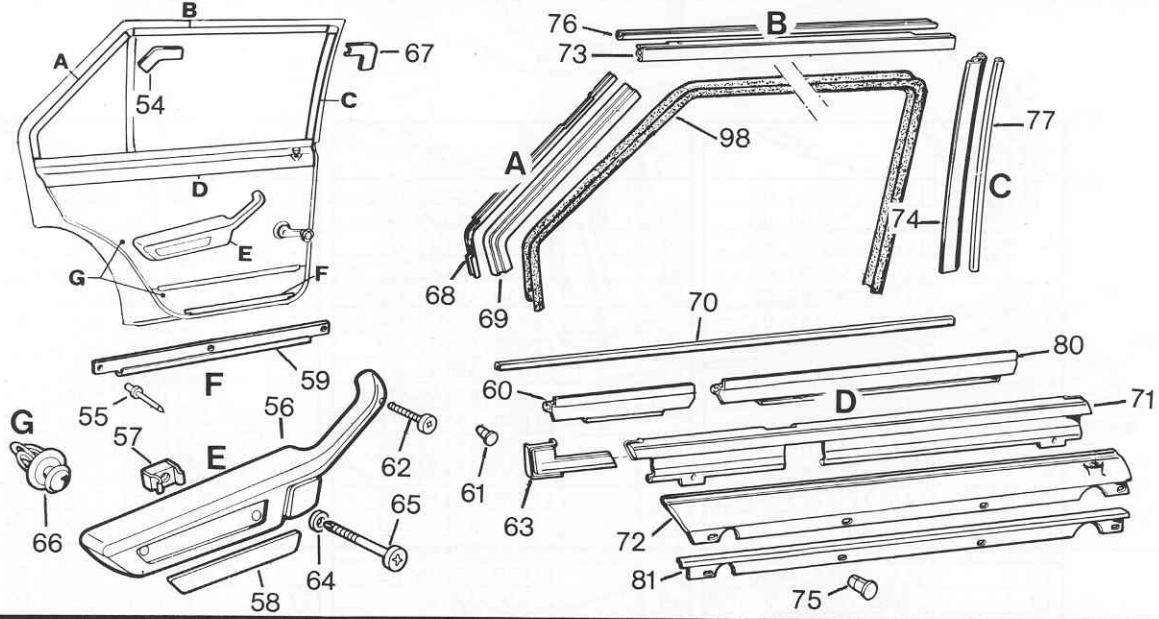
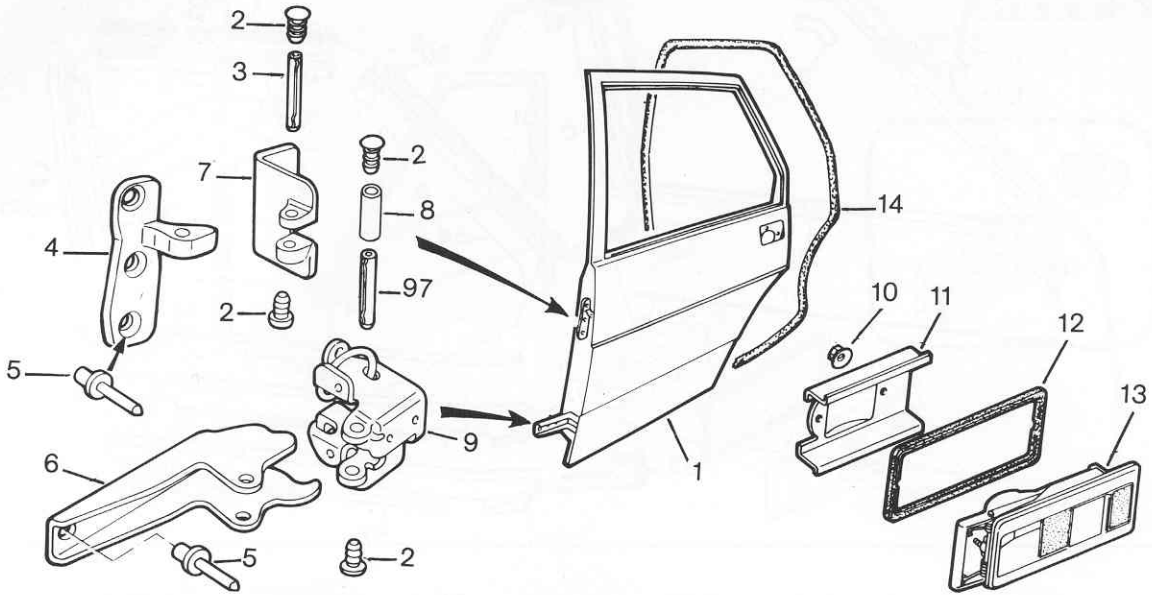


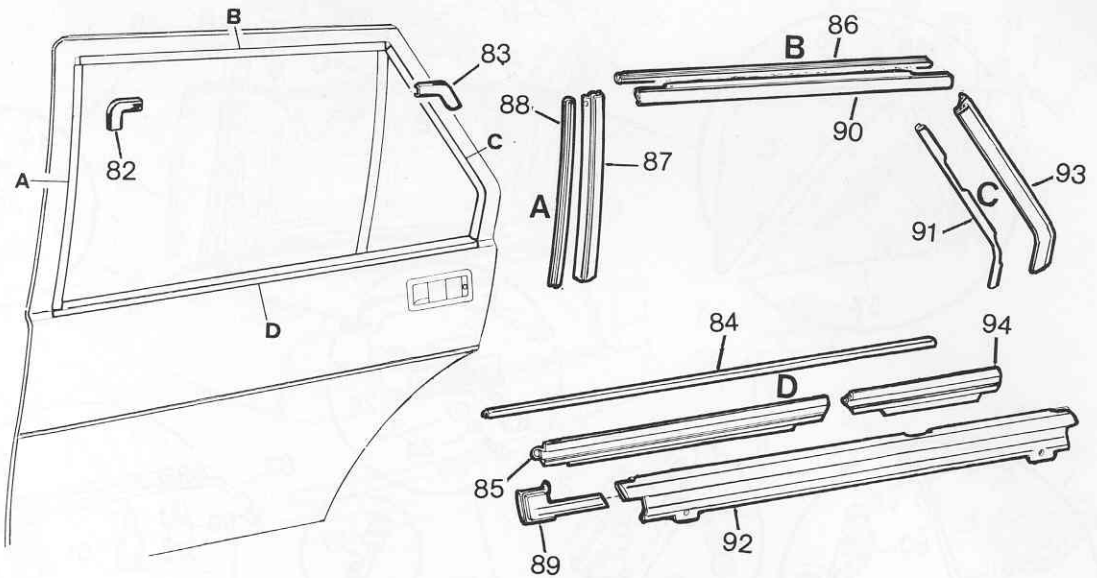


1			11650.55004.00	36			11650.55098.00	70			2100.32724
			11650.55003.00				11650.55099.00	71			11650.55159.00
			11651.55004.00	37			11650.55187.03	72			11655.60052.01
			11651.55003.00	38			11650.55187.01	73			11655.60053.01
2			11913.60094.00	39			11650.55194.01	74			11600.55746.01
3			10514.55765.01	40			11650.55706.00	75			11600.55747.01
4			11650.55213.00	41			11650.55707.00	76			11600.55760.01
5			11900.55120.01	42			11650.55192.01				2200.24701
6			2200.70347	43			11650.55190.01				11650.55007.10
7			11650.53650.00	44			11650.55191.01				11650.55007.20
8			11650.53109.00	45			11650.55187.04				11650.55008.10
9			11650.55120.00	46			11650.55174.11				11650.55008.20
10			11650.55113.00	47			11650.55160.11				11651.55007.10
11			11650.62124.91	48			11650.55157.00				11651.55007.20
			11650.62124.92	49			11600.60142.01				11651.55008.10
12			11655.55639.00	50			11650.55186.00				11651.55008.20
13			2100.93016	51			11650.55220.02	77			10500.55272.02
14			11655.55100.00	52			11650.55187.06	78			11900.60003.02
15			11655.55085.00	53			11650.55208.01	79			11900.55748.01
			11655.55086.00	54			11650.60204.01	80			2100.32963
16			11650.61038.00	55			11650.60204.06	81			2145.17303
17	1...		11610.61128.00	56			11650.55193.01	82			2200.70323
18	3...		11610.61129.00	57			11650.55168.02	83	*		11655.55030.34
19	5...		11610.61130.00	58			11650.55169.02		★		11657.55030.25
20			11650.55220.03	59			11650.55170.02	84			11608.55882.00
21			2360.36178	60			11650.55185.00	85			11608.55676.00
22			11650.60710.00	61			11650.55021.01	86			11610.55675.00
23			11650.55155.00	62			11650.55214.00	87			2100.93016
24			11608.55824.00	63			11650.55215.00	88			10500.55439.01
25			11655.55037.01	64			11650.55034.00	89			2100.93016
			11655.55038.01	65			11650.55035.00				
26			11655.55376.00	66			2100.81408				
			11655.55377.00	67			2105.13290				
27			11650.55220.01	68			2142.16673				
28			2200.70346	69			11900.55272.19				
29			2140.16652				11900.55272.20				
30			2102.16762				11650.55049.02				
31			11650.55020.01				11650.55050.02				
32			11650.60204.02				11650.55032.00				
			11650.60204.05				11650.55033.00				
33			11655.55756.01				11900.55796.09				
34			11650.55139.00				11655.60171.01				
35			11608.55708.00				11650.55016.01				

* ng. 3, 5
 ● SAFE
 ★ ng. 7, 2

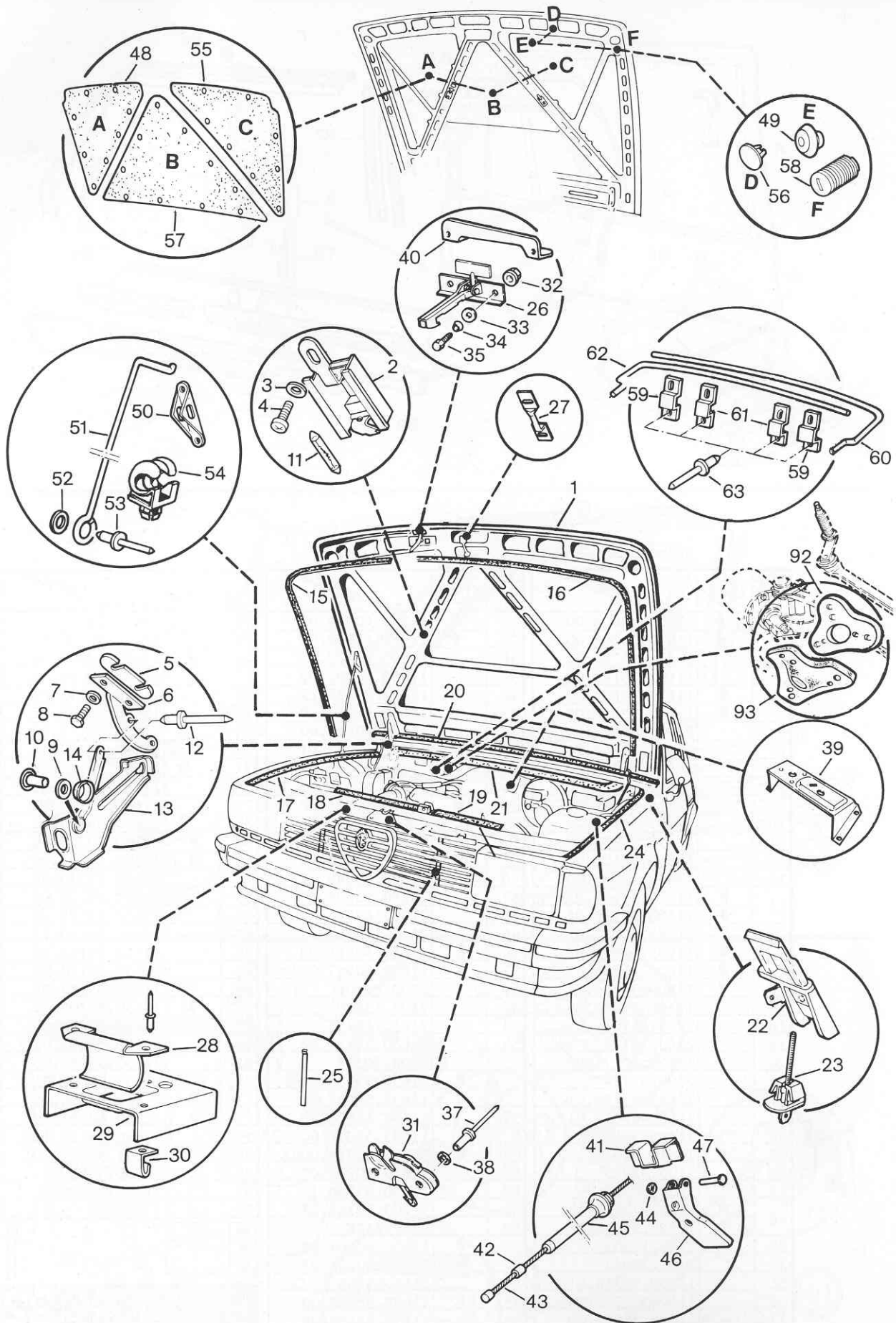


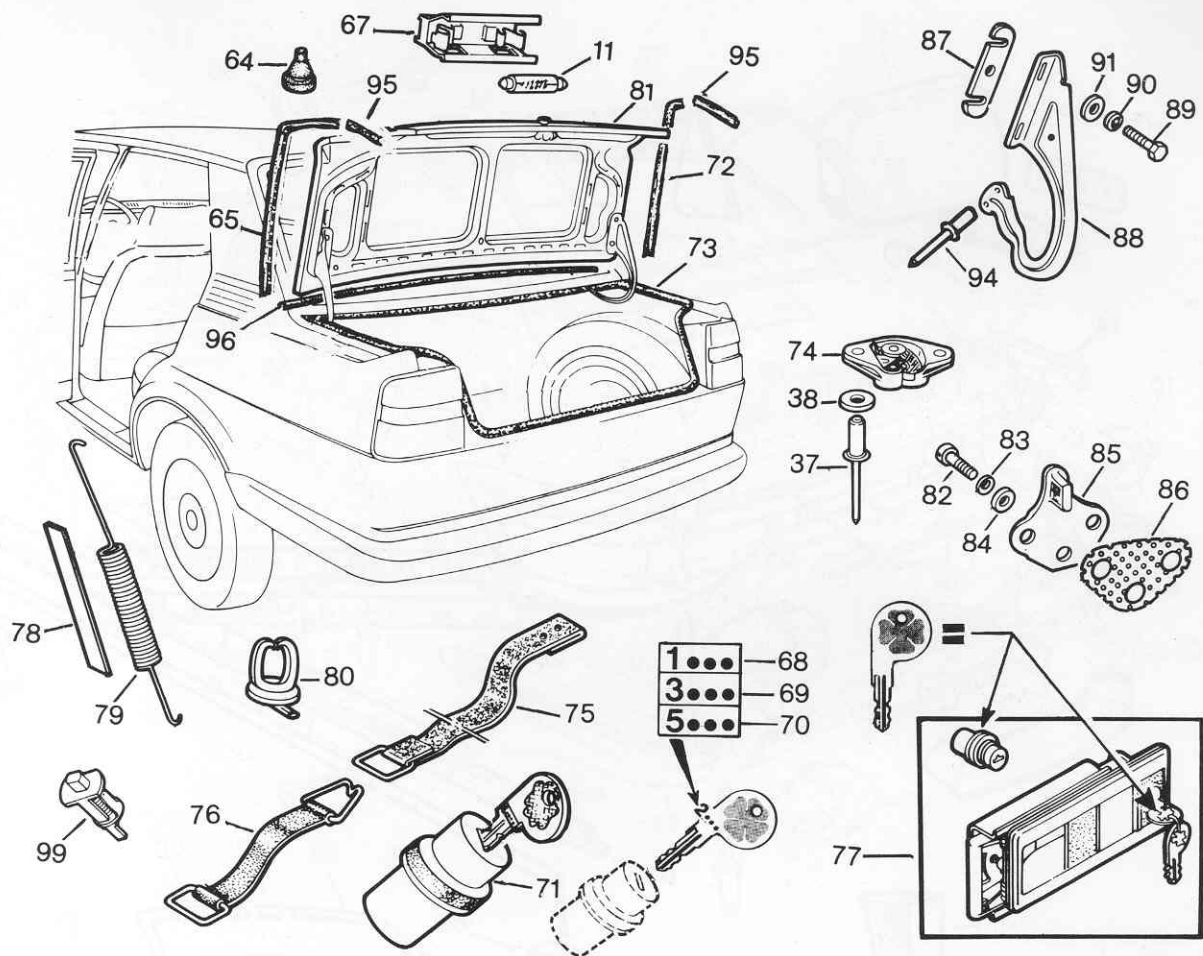




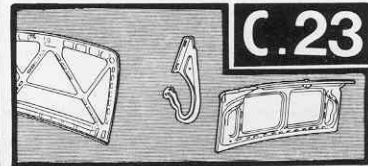
Hand	Eye	...	Pencil	Hand	Eye	...	Pencil	Hand	Eye	...	Pencil
1	↗	11650.60004.00		35	↘	11650.60049.02		70		11650.55186.01	
	↘	11650.60003.00			↘	11650.60050.02		71		11650.60020.01	
2		10514.55765.01		36		10500.55272.02		72	↗	11650.60098.00	
3		11650.55120.00		37		11900.60003.02			↘	11650.60099.00	
4	↘	11650.53655.00		38		11900.55272.15		73		11650.60192.01	
	↗	11650.53656.00		39		11650.60206.00		74		11650.55194.01	
5		2200.70347		40		11650.60218.00		75		11650.55157.00	
6		11650.53650.00		41		11655.55271.01		76		11650.55187.02	
7		11650.55113.00		42		11601.55271.00		77		11650.55187.06	
8		11650.55213.00		43	↗	11650.60034.00		78		11655.55756.01	
9		11913.60094.00			↘	11650.60035.00		79		11650.55139.00	
10		2100.93016		44		2203.70121		80		11650.55160.13	
11		11655.55639.00		45	↗	11650.60214.01		81	↗	11650.60706.00	
12		11655.55100.00			↘	11650.60215.01			↘	11650.60707.00	
13		11655.55083.00		46		11900.55888.01		82		11650.55220.04	
14	↘	11650.62124.93		47		11610.55236.00		83		11650.55220.06	
	↗	11650.62124.94		48		2100.16356		84		11650.55185.01	
15	↗	11655.60052.01		49		2145.16651		85		11650.55160.13	
	↘	11655.60053.01		50	↗	11650.60216.00		86		11650.55187.02	
	↘	11600.55746.01			↘	11650.60217.00		87		11650.55170.02	
16	↘	11600.55747.01		51		2100.81408		88		11650.55187.06	
17		11600.55760.01		52		2105.13290		89	↘	11650.60204.04	
18		2200.24701		53		2145.16673			↗	11650.60204.06	
19		2360.36178		54		11650.55220.06		90		11650.60192.01	
20		11655.60171.00		55		2200.70346		91		11650.55187.00	
21		2100.32724		56	↗	11655.55038.01		92		11650.60021.01	
22		11655.55766.01			↘	11655.55037.01			↗	11650.60170.02	
23		11650.55016.01		57		11608.55824.00		93	↗	11650.60171.02	
24		11608.55676.00			↘	11655.55377.00			↘	11650.55160.12	
25		11610.55675.00		58	↗	11655.55376.00		94		10541.55763.00	
26		2100.93015		59		11650.60711.00		95		10500.55439.01	
27		2200.70323		60		11650.55160.12		96		11900.55120.01	
28	★	11657.55030.34		61		11600.60142.01		97		11650.55174.12	
	*	11655.55030.25		62		2102.16762		98			
29		2145.17303		63	↗	11650.60204.03					
30		2100.32963			↘	11650.60204.05					
31		11900.55748.01		64		2140.16652					
32		11608.55882.00		65		11608.55708.00					
33		11608.55883.00		66		11650.55155.00					
	●	11650.60008.10		67		11650.55220.05					
	↗	11650.60007.10		68		11650.55187.00					
34	↘	11650.60008.20		69	↗	11650.60194.01					
	↘	11650.60007.20			↘	11650.60195.01					

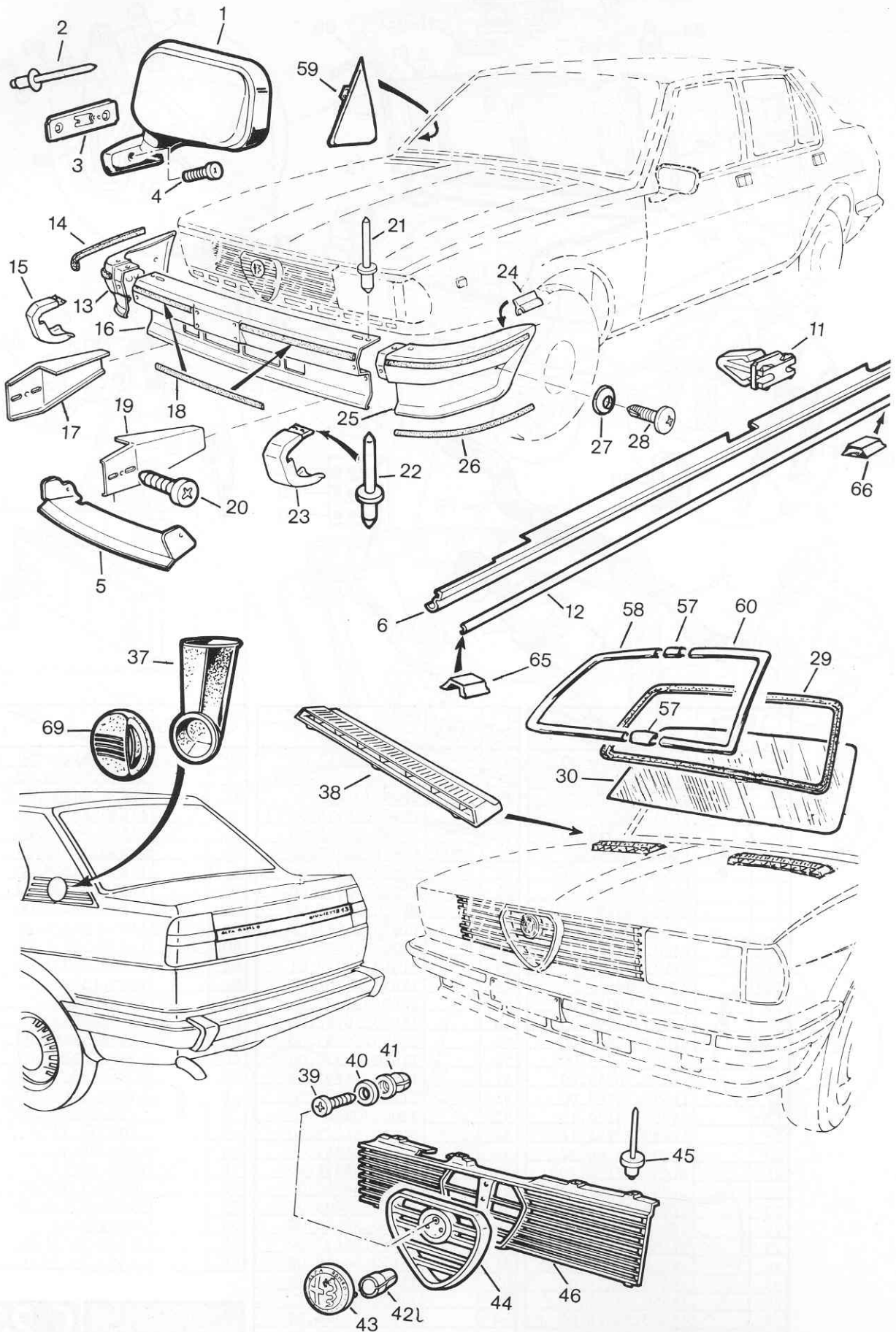
* ng. 3,5
 ● SAFE
 ★ ng. 7,2

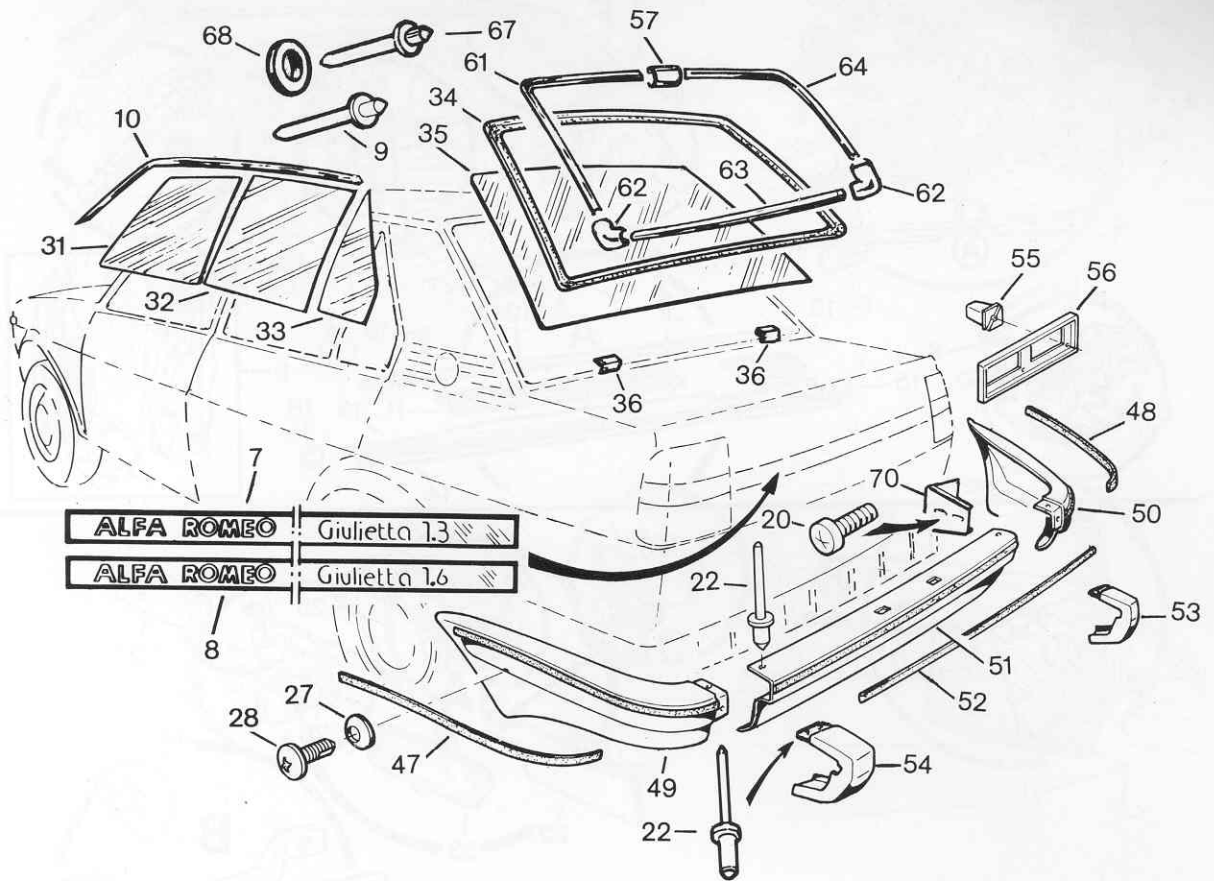




Hand	Eye	Pencil	Hand	Eye	Pencil	Hand	Eye	Pencil
	
1		11650.56030.00	35		11655.56343.00	70	5...	11655.61130.00
2		11651.56011.00	36			71		11650.56036.00
3		2140.17252	37		2200.70148	72		11650.56764.01
4		2100.16339	38		11600.56276.01	73		11650.56119.00
5		10544.56335.00	39	↺	11655.53491.00	74		11634.56037.00
6	↕	11650.56051.01	40	↻	11651.53067.00	75		11650.52910.00
7	↕	11650.56052.01	41		11650.56165.00	76		11650.52909.00
8		2100.81415	42		11650.50476.00	77		11650.61038.00
9		2105.14039	43		11650.56369.00	78		11650.62227.00
10		11650.56422.00	44		11650.56021.00	79		11650.56172.01
11		2180.23119	45		2100.95442	80		11650.53511.00
12		2710.40528	46		11650.56022.01	81		11650.56031.00
13		2200.70444	47		11650.56261.01	82		2105.13290
14	↕	11650.56093.00	48		2260.32430	83		2100.81408
15	↕	11650.56094.00	49		11650.56762.00	84		2145.16673
16		11913.17826.00	50		11650.56205.00	85		11608.56114.03
17		11650.56758.00	51		11650.56376.00	86		11600.53141.01
18		11650.56759.00	52		11650.56297.00	87		10544.56335.00
19		11650.54487.00	53		2145.16718	88	↕	11650.56177.00
20		11650.62124.15	54		2200.70348	89	↕	11650.56176.00
21		11650.62124.16	55		11610.61421.20	90		2105.00237
22		11900.55796.12	56		11650.56763.00	91		2100.81434
23		11650.62124.70	57		11636.56391.00	92		2145.16675
24		11650.56097.00	58		11650.56761.00	93		11608.53551.01
25		11650.56098.00	59		10514.56205.02	94		11650.53552.00
26		11650.54487.00	60		11650.56436.00	95		2200.70348
27		11650.62124.14	61		11650.56137.00	96		11650.56771.01
28		11650.56015.00	62		11650.56259.00			11650.56770.01
29		11650.56415.00	63		11650.56138.00			
30		11650.56417.00	64		2200.70346			
31		11650.56418.00	65		11655.56246.00			
32		11650.56430.00	66		11650.56765.01			
33		11600.56014.01	67		10548.65038.00			
34		2100.92606	68	1...	11650.56011.00			
		2145.16673	69	3...	11655.61128.00			
		2100.81408			11655.61129.00			



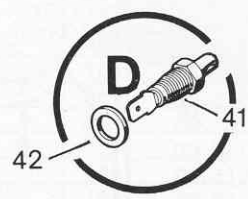
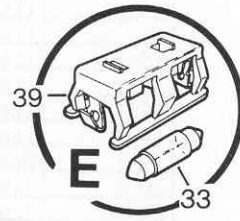
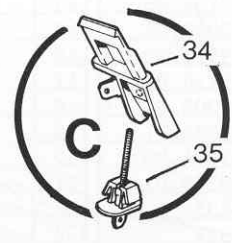
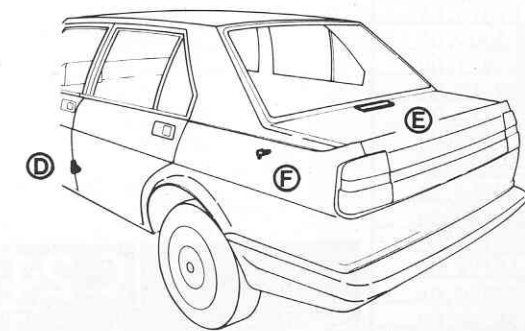
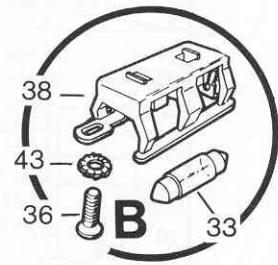
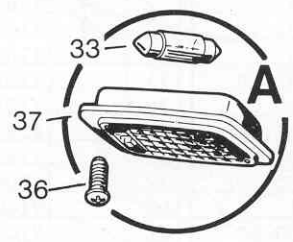
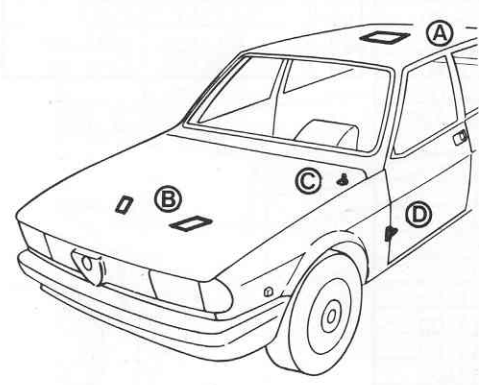
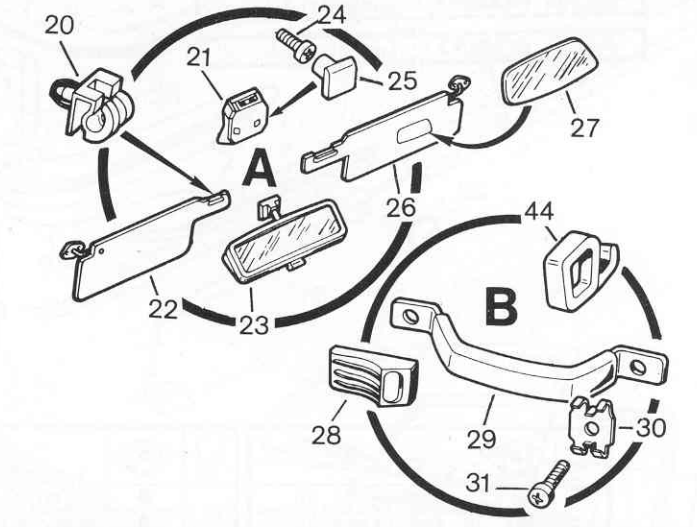
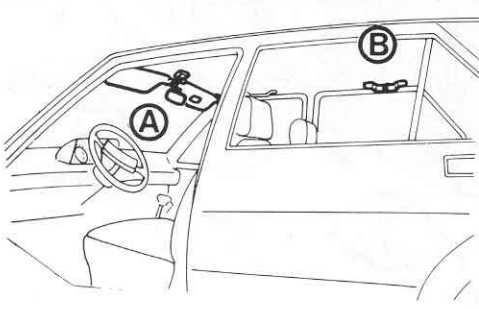
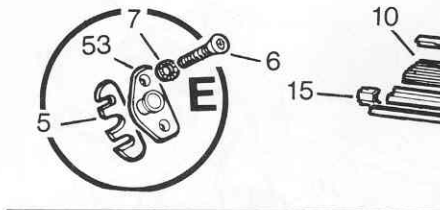
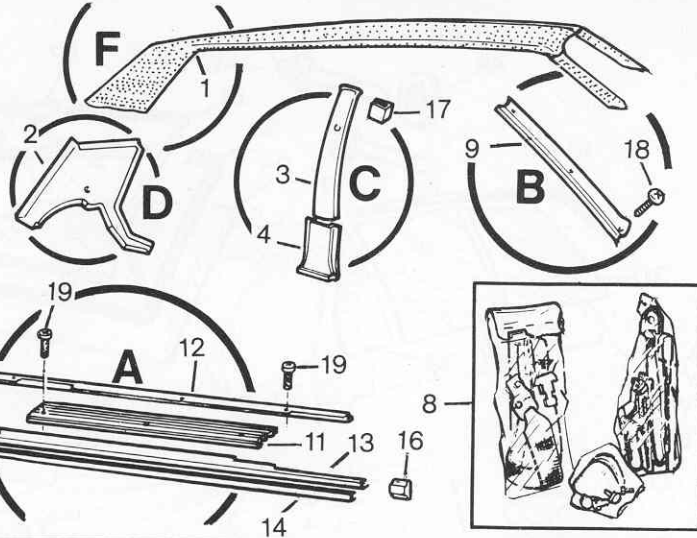
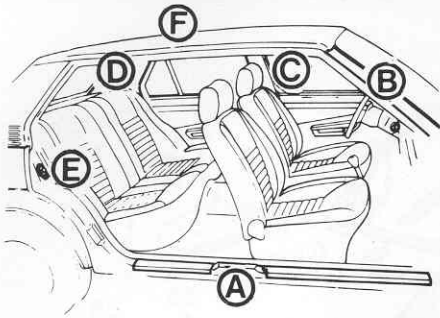


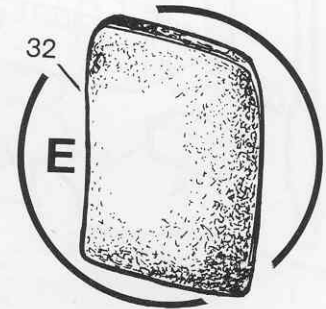
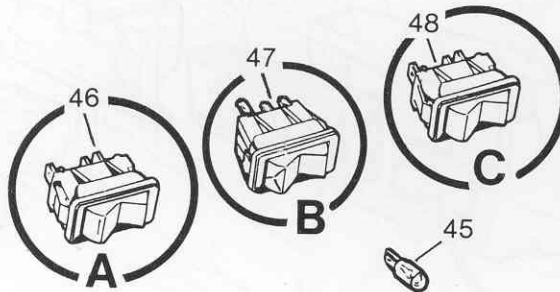
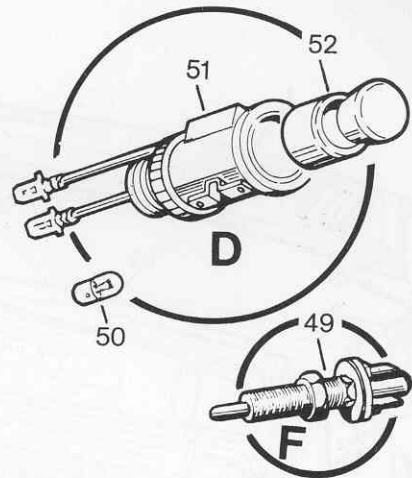
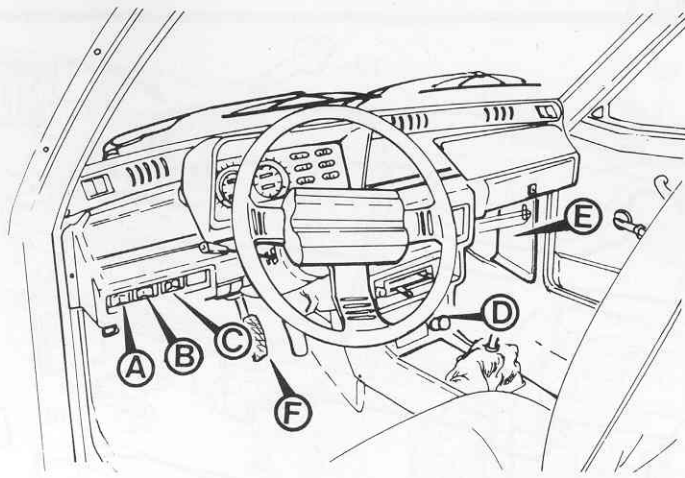


ALFA ROMEO Giulietta 1.3
 ALFA ROMEO Giulietta 1.6

Hand	Eye	...	Pencil
1	↶	11655.95012.20	
	↷	11655.95012.21	
2		2200.70328	
3		11913.61932.76	
4		2107.32935	
5		11650.59348.00	
6	↕	11650.59105.00	
	↕	11650.59106.00	
7		11644.61290.00	
8		11650.61290.00	
9		2202.70521	
10	↕	11650.59950.00	
	↕	11650.59951.00	
11		11650.59136.00	
12		11650.59104.00	
13		11650.59008.04	
14		11650.59916.00	
15		11650.59124.01	
16		11650.59003.04	
17		11650.59326.01	
18		11650.59914.00	
19		11650.59325.01	
20		2105.00235	
21		2200.70311	
22		2202.70142	
23		11650.59125.01	
24		11900.55796.07	
25		11650.59007.04	
26		11650.59915.00	
27		11650.59768.00	
28		11650.59748.00	
29		11642.53115.12	
30	↶	11650.61550.50	
	↷	11651.61550.50	
31	↕	11650.61800.80	
	↕	11650.61801.80	
32	↕	11650.61802.80	
	↕	11650.61803.80	
33	↕	11650.61558.80	
	↕	11650.61559.80	
34		11642.53114.11	
35		11650.61551.80	
36		11650.53681.00	
37		11650.54061.10	
38		11650.59037.01	
39		2100.16341	
40		2140.16671	
41		2100.95503	
42		1488.38005	
43		2400.51012	
44		11650.59031.00	
45		11610.54315.00	
46		11650.59449.00	
47		11650.59933.00	
48		11650.59934.00	
49		11650.59009.04	
50		11650.59010.04	
51		11650.59004.04	
52		11650.59917.00	
53		11650.59116.01	
54		11650.59115.01	
55		11913.59458.00	
56		11650.59038.00	
57		11913.59316.10	
58		11913.59540.03	
59	↕	11650.55153.00	
	↕	11650.55154.00	
60		11913.59540.04	
61		11913.59540.08	
62		11913.59316.11	
63		11913.59540.02	
64		11913.59540.01	
65		11650.59631.00	
66		11650.59632.00	
67		2203.70113	
68		2147.16650	
69		11650.54483.00	
70		11650.59338.01	



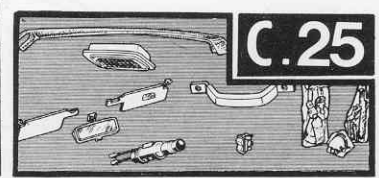


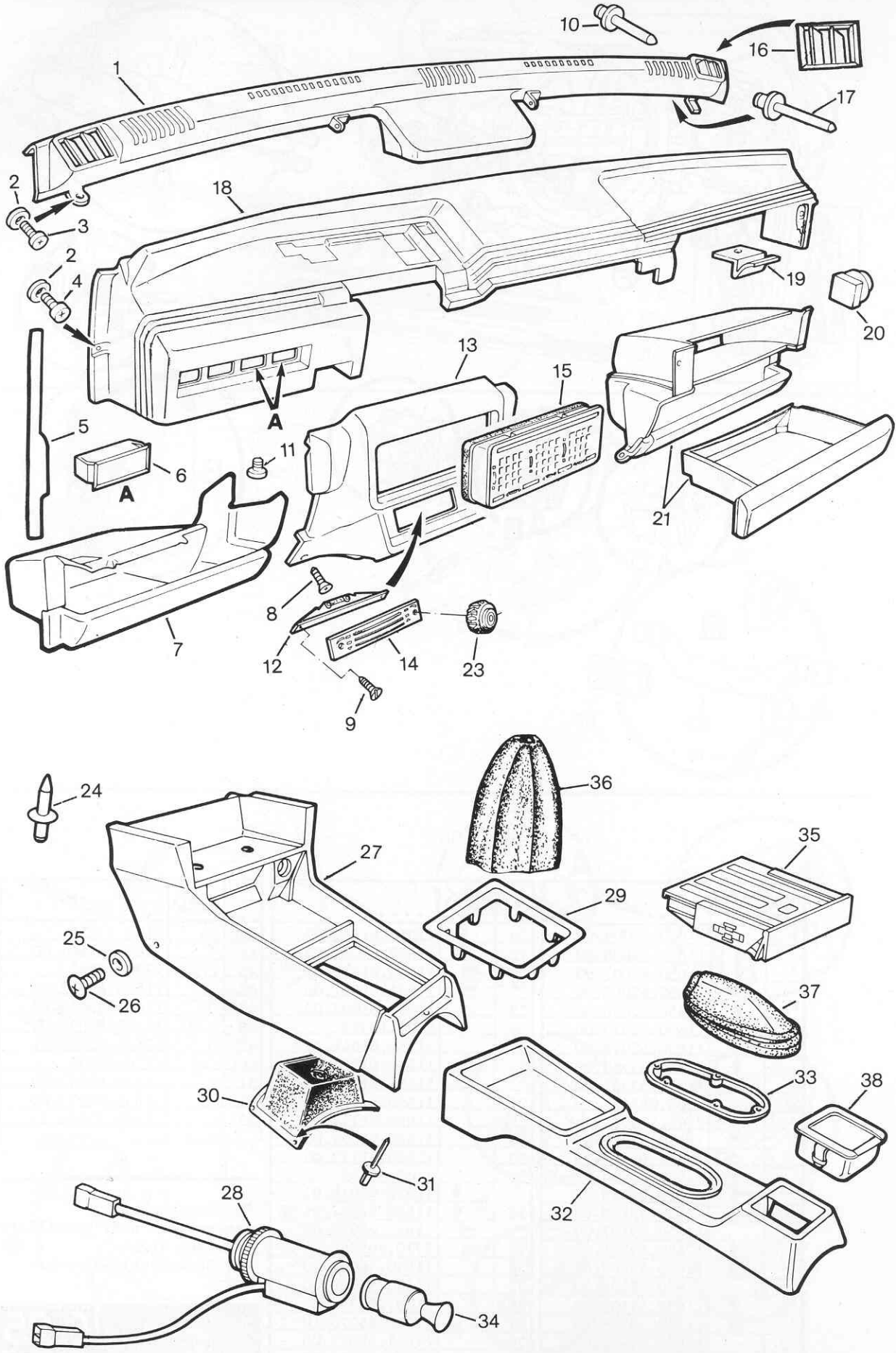


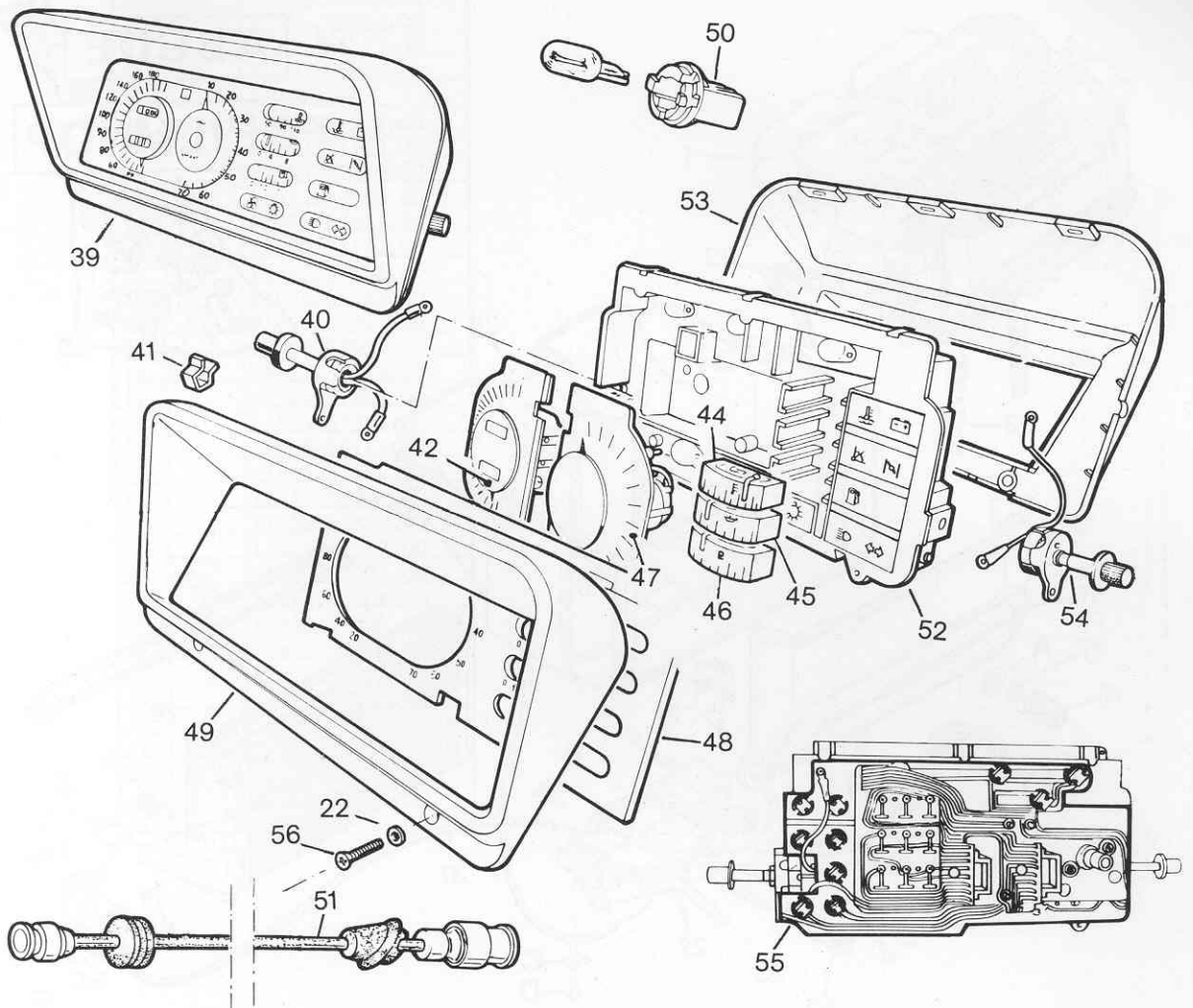
Hand icon	Eye icon	... Pencil icon	Part No.	Price	Hand icon	Eye icon	... Pencil icon	Part No.	Price	Hand icon	Eye icon	... Pencil icon	Part No.	Price
			11650.62004.00					20	11650.61120.00				2140.17252	
	▶		11650.62008.00					21	11650.64009.00				44	11650.61150.00
	▶		11650.62007.00			↻		22	11650.61011.00				45	1,2W 2710.40586
	▶		11650.62005.00			↻		23	11651.61011.00				46	11655.65042.00
	▶		11650.62006.00					24	11657.61002.00				47	11655.65040.00
	▶		11650.62015.00					25	2100.16339				48	* 11655.65032.00
	▶		11650.62016.00					26	11650.65049.02				49	10564.65177.01
	▶		11650.53360.00			↻		27	11650.61010.00				50	4W 2710.40535
	▶		11650.53361.00			↻		28	11651.61010.00				51	11650.65037.00
			2105.04554					29	11650.61109.00				52	11655.65033.00
			2145.17305					30	11650.61114.00				53	11650.53016.11
	↻		11650.95052.99					31	11650.61004.00					
	↻		11651.95052.99					32	11650.61113.00					
	▶		11650.63098.02					33	2100.32562					
	▶		11650.63099.02					34	11650.62018.01					
			11650.59198.00			↻		35	11650.62017.01					
			11650.59197.00			↻		36	11651.62017.00					
	▶		11650.59201.02					37	2710.40528					
	▶		11650.59202.02					38	5W 11650.56097.00					
			11650.59104.00					39	11650.56098.00					
	▶		11650.59105.00					40	2100.16339					
	▶		11650.59106.00					41	11650.65070.10					
			11650.59632.00					42	11651.56011.00					
			11650.59631.00						11650.56011.00					
			11650.62424.00						10548.65038.00					
			2100.16848						11655.65038.00					
			2107.16140						10500.56268.00					

*

Per retronebbia
Feu arrière anti-brouillard
Rear fog light
Für Neckelschlussleuchte

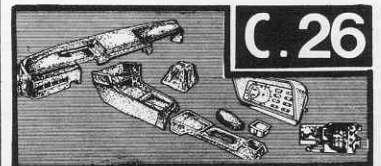


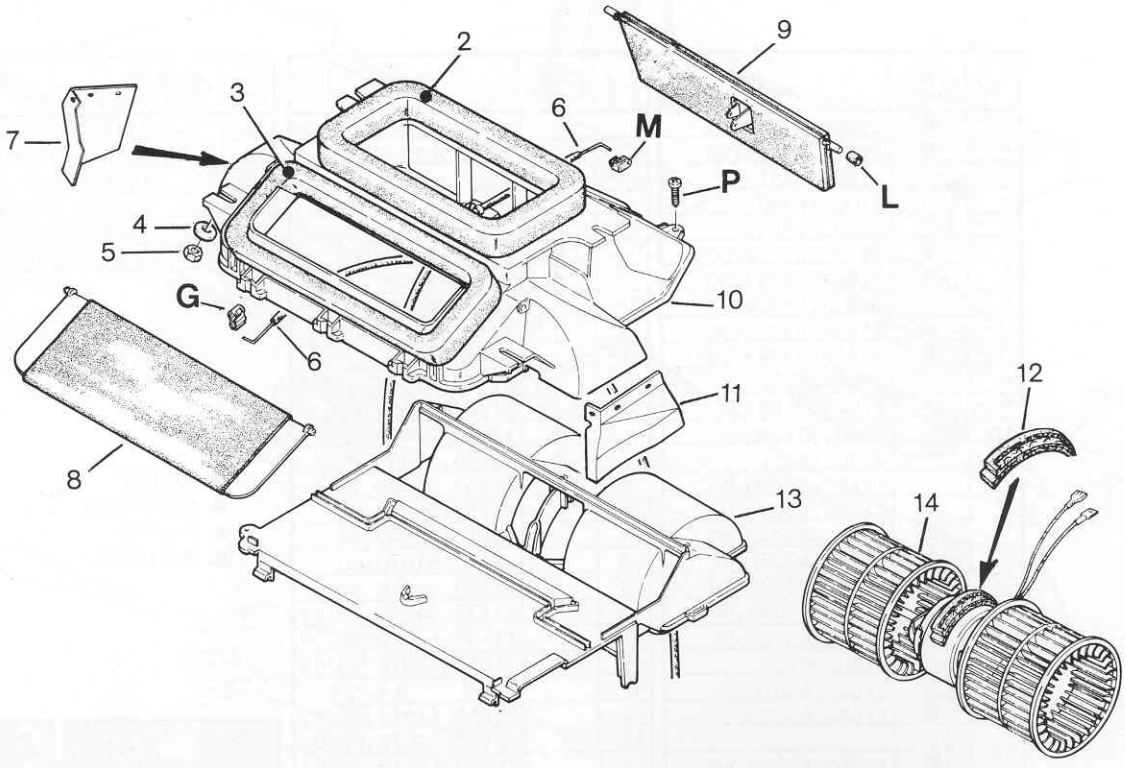
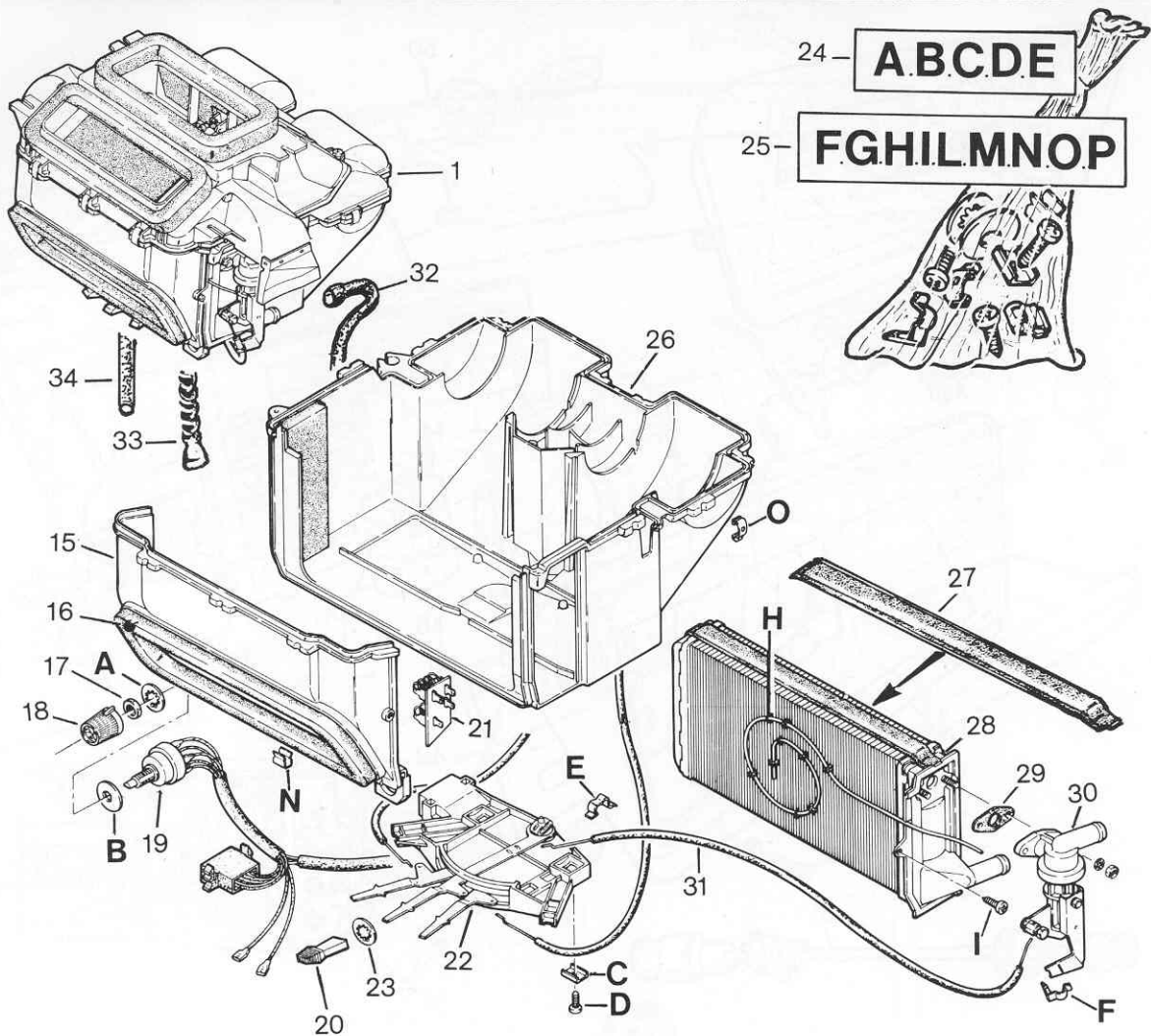







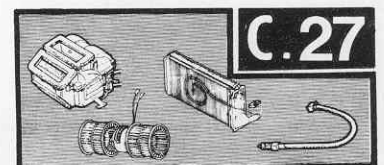
Hand	Eye	Pencil	Hand	Eye	Pencil	Hand	Eye	Pencil
1	★	11650.63060.01	23		11655.63303.00	51		11650.64500.01
	■	11650.63060.10	24		2200.70113	52		11650.64010.00/13
2		2140.16651	25		2142.17062	53		11650.64010.00/26
3		2100.16340	26		2102.16212	54		11650.64010.00/18
4		2102.32545	27		11655.61080.00	55		11650.64010.00/10
5	▶	11650.63096.00	28	●	11650.65037.00	56		11650.63104.00
	◀	11650.63097.00		▲	11650.65037.01			
6		11650.65049.01	29		11655.61266.00			
7	★	11650.63095.00	30		11608.61069.01			
	■	11650.63095.10	31		2200.70136			
8		2100.16352	32		11657.61082.00			
9		2102.16118	33		11657.61629.00			
10		2200.70423	34	●	11655.65033.00			
11		2100.16351		▲	11655.65033.01			
12		11650.65070.00	35		11655.61020.10			
13	★	11650.63030.01	36		11657.61069.00			
	■	11650.63030.10	37		11655.61149.00			
14	★	11650.63302.01	38		11657.61020.00			
	■	11650.63302.10	39		11650.64010.00			
15		11650.63064.00	40		11650.64010.00/23			
16		11650.63062.01	41		11650.64010.00/24			
17		2200.70123	42		11650.64010.00/01			
18	★	11650.63010.01	43					
	■	11650.63010.10	44		11650.64010.00/05			
19		11650.63212.10	45		11650.64010.00/04			
20		11657.63202.00	46		11650.64010.00/03			
21	★	11650.63020.00	47		11650.64010.00/02			
	■	11650.63020.10	48		11650.64010.00/17			
22		2142.16651	49		11650.64010.00/16			
			50		11608.64010.01/12			

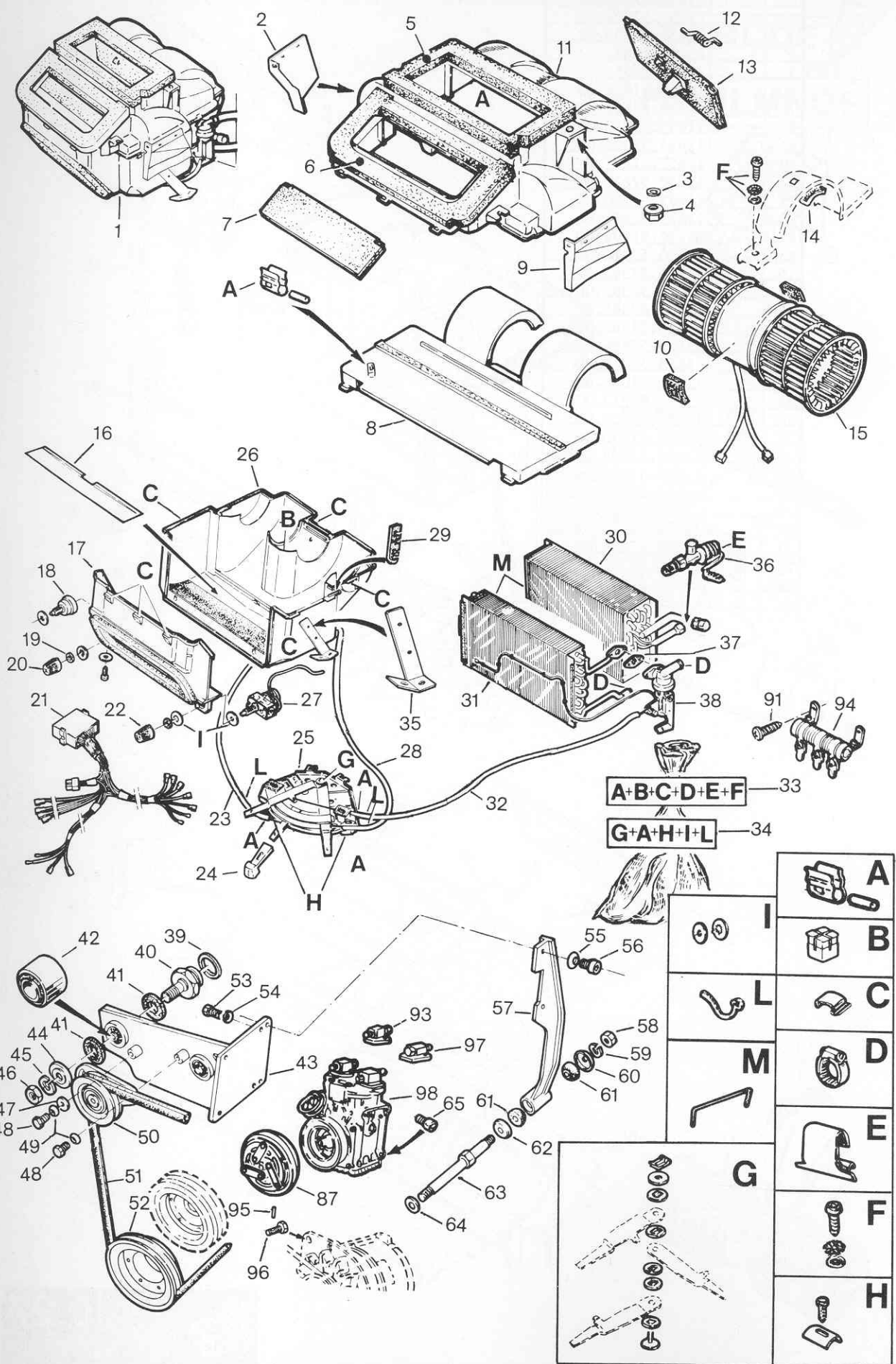
- ★ MACCHI
- ONNIPLAST
- FALCOS
- ▲ SQUIRREL





		
1		11650.57004.00
2		11655.57402.00
3		11655.57353.00
4		2140.16687
5		2100.92605
6		11655.57074.00
7		11650.57123.00
8		11655.57070.00
9		11655.57099.00
10		11655.57911.00
11		11650.57122.00
12		11655.57260.00
13		11655.57445.00
14	<input checked="" type="checkbox"/>	11655.57901.00
15		11650.57057.00
16		11655.57345.00
17		10564.57382.00
18		11655.57389.00
19		11655.65165.00
20		11655.57464.01
21		11655.57049.00
22		11650.57073.00
23		11655.57217.00
24	<input checked="" type="checkbox"/>	11650.57024.00
25	<input checked="" type="checkbox"/>	11655.57023.00
26		11650.57084.00
27		11655.57473.00
28		11655.57226.00
29		11655.57271.00
30		11655.57351.00
31		11600.57064.00
32		11655.57104.00
33		11655.57332.00
34		11655.57333.00

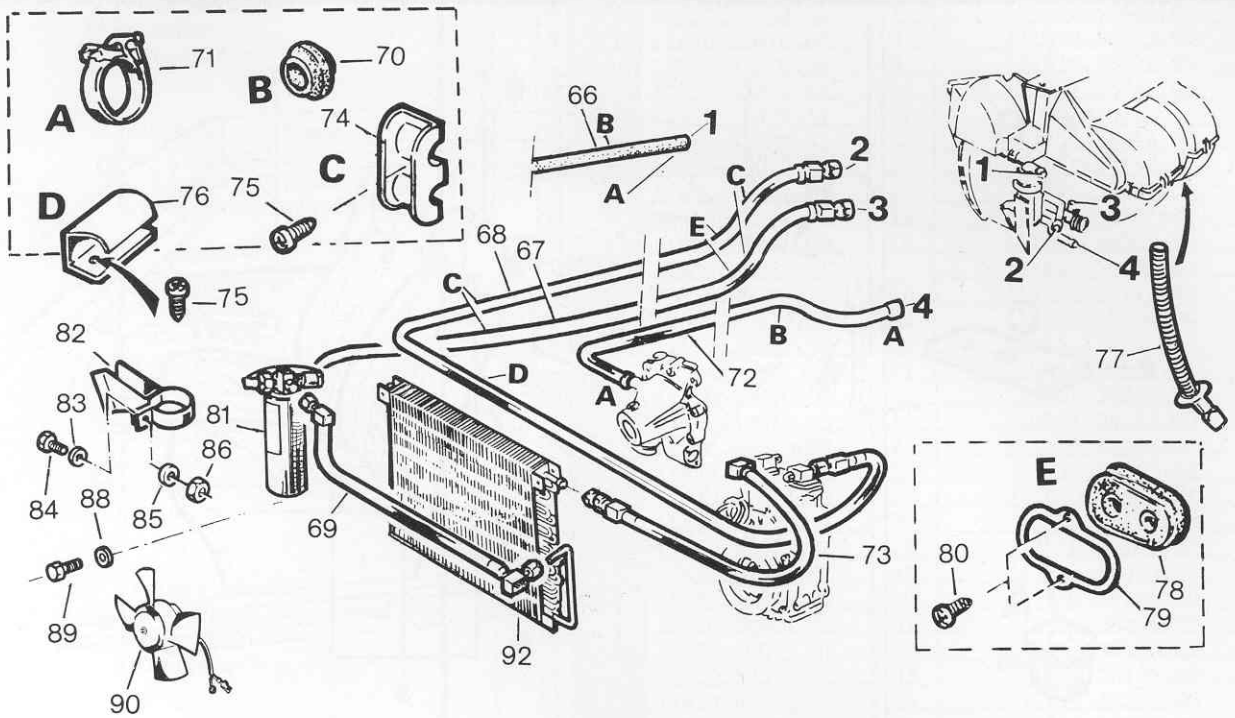




A+B+C+D+E+F — 33

G+H+I+L — 34

	A
	B
	C
	D
	E
	F
	H
	I
	L
	M
	G

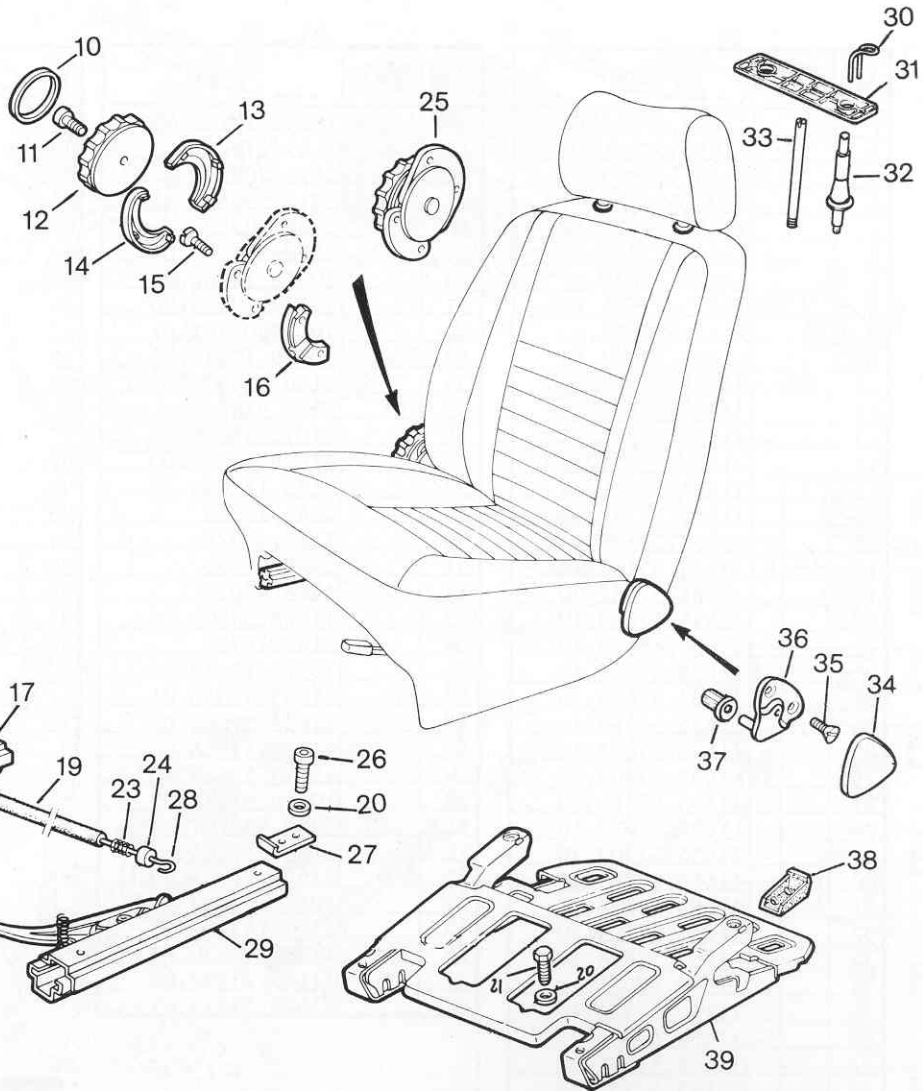
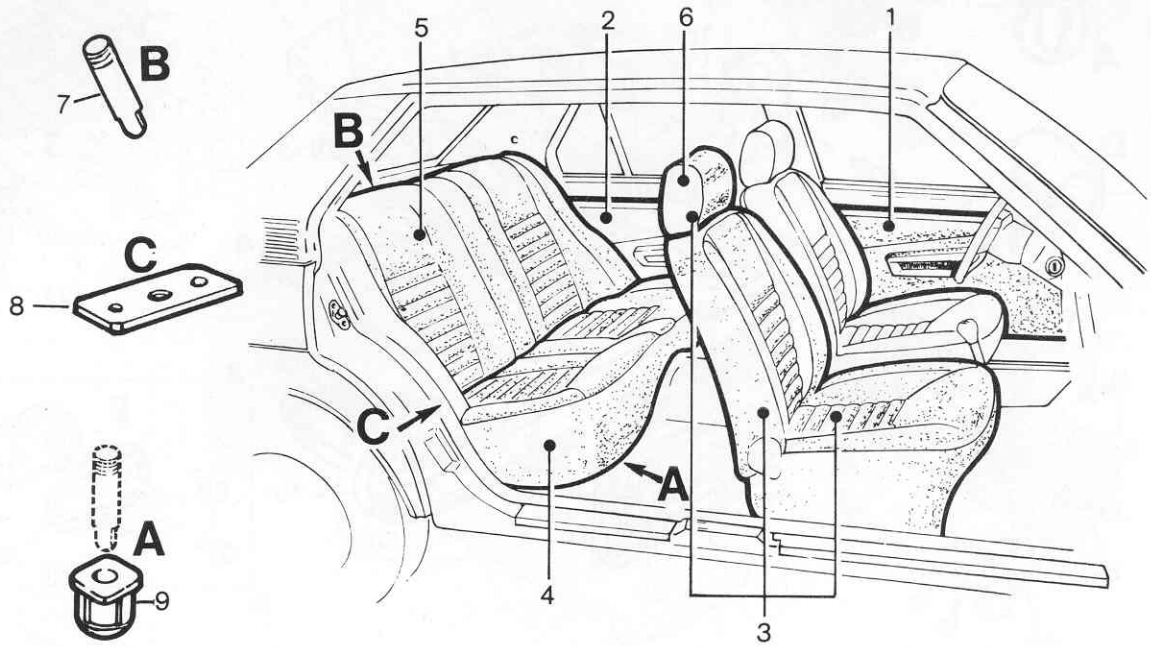


Hand	Eye	Pencil
1		11650.57009.10
2		11650.57121.10
3		2140.16687
4		2100.92605
5		11655.57402.10
6		11655.57353.10
7		11655.57070.10
8		11655.57445.10
9		11650.57122.10
10		11655.57260.10
11		11655.57903.10
12		11655.57187.10
13		11655.57071.10
14		11655.57139.10
15		11655.57901.10
16		11655.57291.10
17		11650.57506.10
18		11655.65165.10
19		10564.57382.00
20		11655.57389.10
21		11650.65113.10
22		11655.57366.10
23		11655.57074.10
24		11655.57464.11
25		11650.57073.10
26		11655.57904.10
27		11655.65166.10
28		11655.57075.10
29		11655.57307.10
30		11655.57380.10
31		11655.57226.10
32		11655.57064.10
33		11650.57023.10
34		11650.57024.10
35		11650.57514.10
36		11655.57326.10
37		11655.57271.10
38		11655.57351.10
39		2340.32255
40		10548.01568.05
41		10548.10153.00
42		10548.10154.00
43		11600.10028.00

Hand	Eye	Pencil
44		10548.10152.01
45		2145.17029
46		2125.20073
47		1315.35063
48		2105.00237
49		2100.81434
50		10512.10008.01
51		10512.10103.00
52		10512.02102.01
53		10548.10113.00
54		2100.81437
55		2100.81414
56		2105.04182
57		11618.10022.00
58		2125.15104
59		2145.17353
60		1365.45026
61		1365.45470
62		1365.45025
63		11618.05500.C0
64		2145.16722
65		10564.10113.00
66		11655.57333.01
67		11655.57085.00
68		11655.57086.00
69		11650.57020.00
70		10500.57218.02
71		2300.53210
72		11655.57104.01
73		11655.57005.00
74		10512.53530.00
75		2100.16340
76		11608.53530.00
77		11655.57332.00
78		11600.57315.01

Hand	Eye	Pencil
79		11600.57314.01
80		2102.16863
81		11655.57909.00
82		11655.50916.00
83		2140.16652
84		2100.00161
85		2100.81408
86		2120.15027
87		10512.10018.00
88		2140.16673
89		2105.02769
90	↕	11650.07045.03
	↕	11650.07045.04
91		2100.16340
92		11655.57083.00
93		11655.10005.00
94		11608.65167.00
95		2160.18808
96		11513.05603.00
97		11655.10004.00
98		10548.10010.01





A {
 cuoio naturale
 cuir naturel
 leather
 naturleder

B {
 cinghiale maremma
 gris sanghier
 wild boar leather
 wildschweinlederfarben

C {
 testa di moro
 marron foncé
 dark brown
 dunkelbraun


D {
 castoro
 castor
 beaver
 bibu

E {
 grigio piombo
 gris plomb
 lead grey
 blaugrau















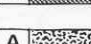

















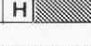




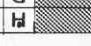
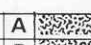









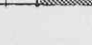
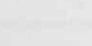
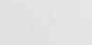
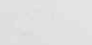
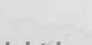

F {
 beige
 beige
 beige
 beige

G {
 grigio nuvola
 gris nuage
 claud grey
 walkengrau

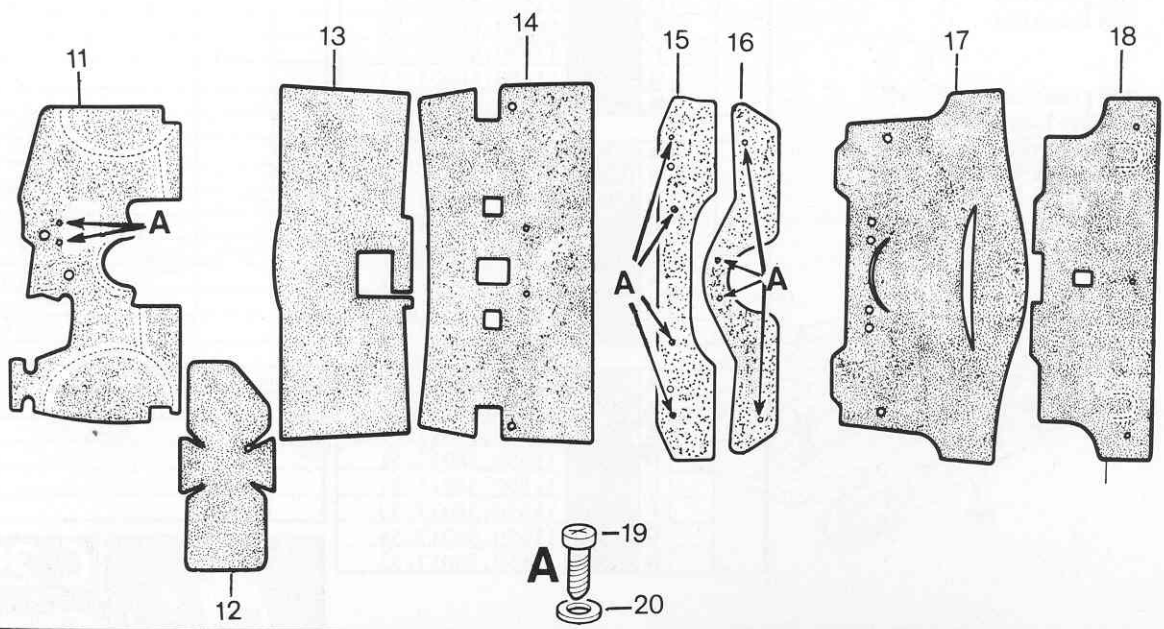
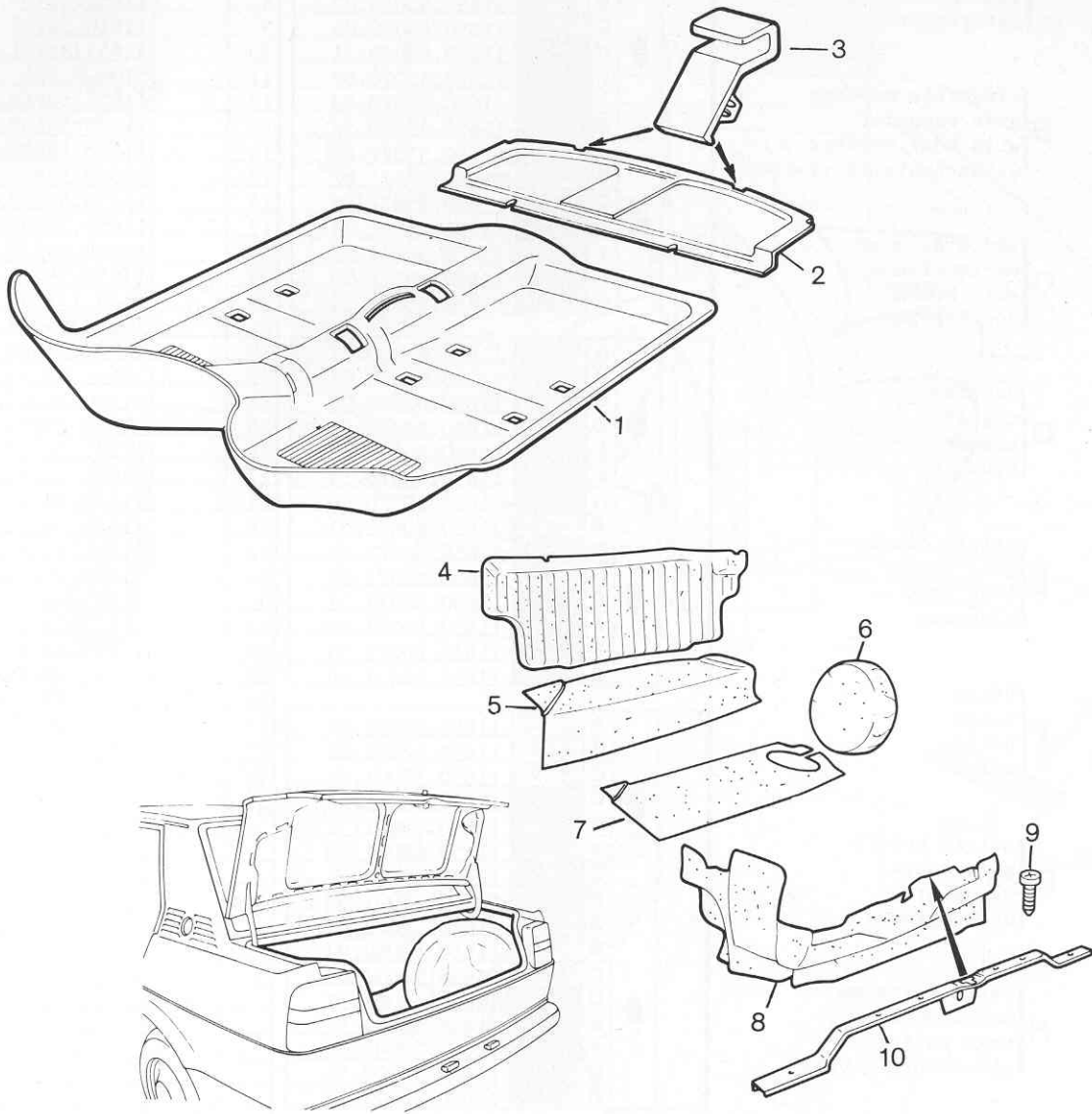
H {
 beige uniforme
 beige uniforme
 beige uniform
 gleichförmig beige

 {
 texalfa
 texalfa
 texalfa
 texalfa

 {
 velluto
 velours
 velvet
 samt

								
1	➔	A		11650.55070.01	7	11608.58640.00		
		B		11650.55070.02	8	11650.68103.00		
		C		11650.55070.03	9	11610.58778.01		
		D		11650.55070.51	10	11655.58741.00		
		E		11650.55070.52	11	2100.02574		
		F		11650.55070.53	12	11655.58746.00		
		G		11650.55070.54	13	11655.58697.00		
		➔	A		11650.55071.01	14	11655.58698.00	
			B		11650.55071.02	15	10548.58627.02	
	C			11650.55071.03	16	11655.58509.00		
	D			11650.55071.51	17	11655.58024.00		
	E			11650.55071.52	18	11608.58719.00		
	F			11650.55071.53	19	11650.58108.00		
	G			11650.55071.54	20	2145.17255		
	2		➔	A		11650.60070.01	21	10514.65546.01
				B		11650.60070.02	22	11614.58339.00
		C			11650.60070.03	23	10541.58249.00	
		D			11650.60070.51	24	11600.58307.00	
		E			11650.60070.52	25	11655.58843.00	
F				11650.60070.53	26	11600.58553.01		
G				11650.60070.54	27	11655.58491.00		
➔		A			11650.60071.01	28	11610.58107.00	
		B			11650.60071.02	29	11655.58023.00	
		C		11650.60071.03	30	11657.58184.00		
		D		11650.60071.51	31	11655.58206.20		
		E		11650.60071.52	32	11655.58020.01		
		F		11650.60071.53	33	11650.58185.01		
		G		11650.60071.54	34	11655.58767.00		
		3	➔	A		11650.58001.01	35	11642.58627.00
				B		11650.58001.02	36	11655.53372.00
C					11650.58001.03	37	11612.58728.00	
D					11650.58001.51	38	11655.58312.00	
E					11650.58001.52	39	11655.58069.00	
F				11650.58001.53		11655.58070.00		
G				11650.58001.54				
➔	A				11650.58001.55			
	B				11650.58002.01			
	C			11650.58002.02				
	D			11650.58002.03				
	E			11650.58002.51				
	F			11650.58002.52				
	G			11650.58002.53				
	4		➔	A		11650.68005.01		
				B		11650.68005.02		
C					11650.68005.03			
D					11650.68005.51			
E					11650.68005.52			
F				11650.68005.53				
G				11650.68005.54				
H				11650.68005.55				
5	➔	A		11650.68027.01				
		B		11650.68027.02				
		C		11650.68027.03				
		D		11650.68027.51				
		E		11650.68027.52				
		F		11650.68027.53				
		G		11650.68027.54				
		H		11650.68027.55				
6	➔	A		11650.58017.01				
		B		11650.58017.02				
		C		11650.58017.03				
		D		11650.58017.51				
		E		11650.58017.52				
		F		11650.58017.53				
		G		11650.58017.54				
		H		11650.58017.55				



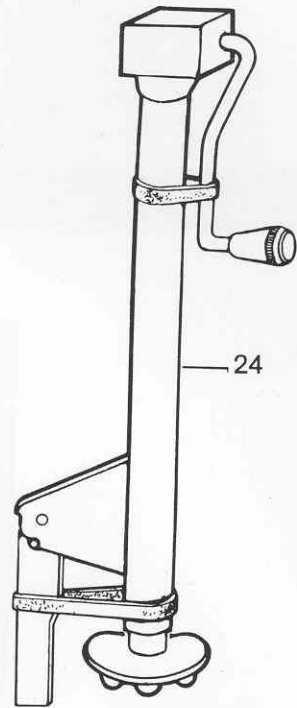




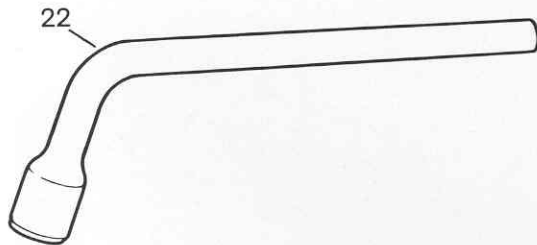
21



23



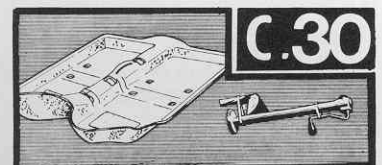
24



22

1		11650.62010.00
		11651.62010.01
2		11650.62050.01
3		11650.62542.01
4		11650.62014.00
5		11650.62108.00
6		11650.62012.00
7		11650.62101.01
8		11650.62105.00
9		2102.16788
10		11650.62271.00
11		11650.62019.01
		11651.62019.00
12		11609.62697.00
13		11650.62200.00
14		11655.62521.00
15		11655.62640.00
16		11655.62648.00
17		11655.62638.00
18		11655.62528.00

19		2102.16762
20		2140.16687
21		10512.80010.02
22		2400.11020
23		2400.11920
24		11913.80015.00



ALFA ROMEO
20020 ARESE (Milano)

ARICA Pubblic. N. 2459
11/78 - 20.000

Printed in Italy

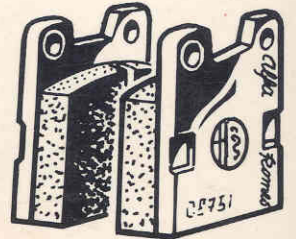
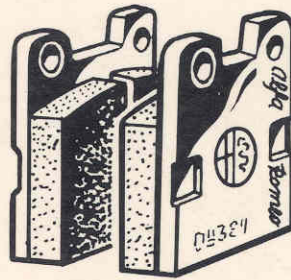
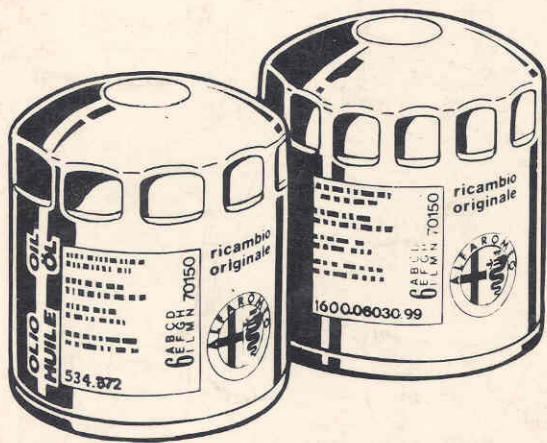
Stampa: Industria Grafica VIAPPIANI
Milano - Viale Argonne, 28



ALFA ROMEO

**ricambi originali solo in questo imballo
pièces d'origine seulement dans cet emballage
genuine spares only in this box
originale Ersatzteile nur in dieser Packung**

un lavoro di qualità un lavoro sicuro



con ricambi originali

ALFA ROMEO